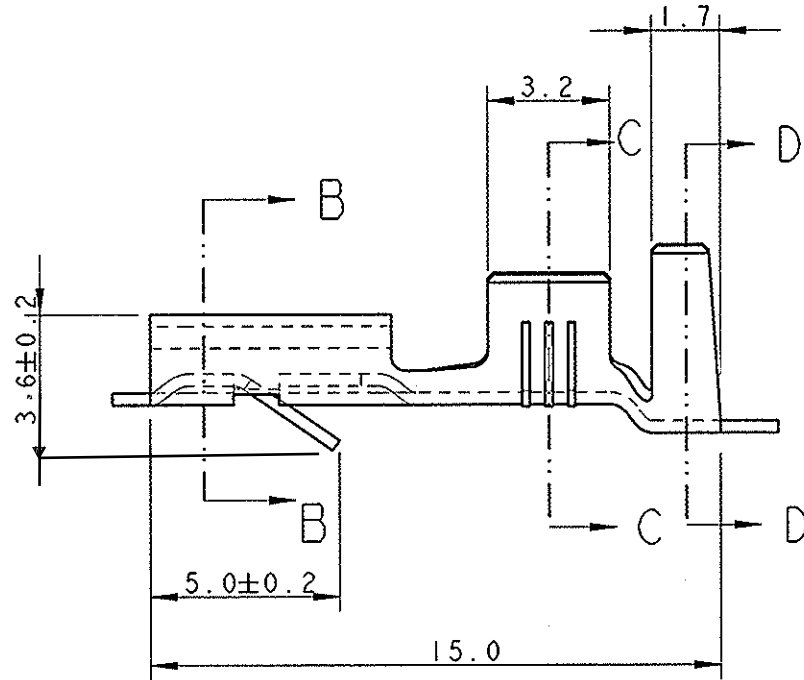
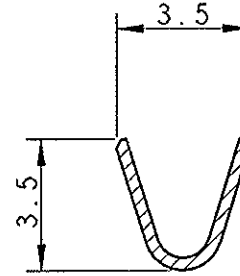


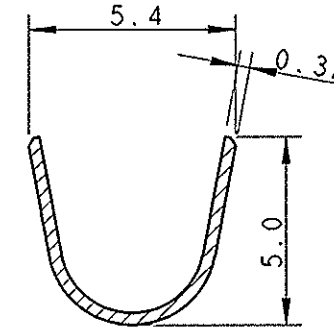
LOC	DIST	REVISIONS					
		P	LTR	DESCRIPTION	DATE	DWN	APVD
1	-		L	REDRAWN CHANGED BASE MTL. ET00-0108-04	17MAY2004	AV	GT
			L1	ECR-17-013482	27DEC17		
			L3	ECR-19-000827	15JAN19	GG	TD



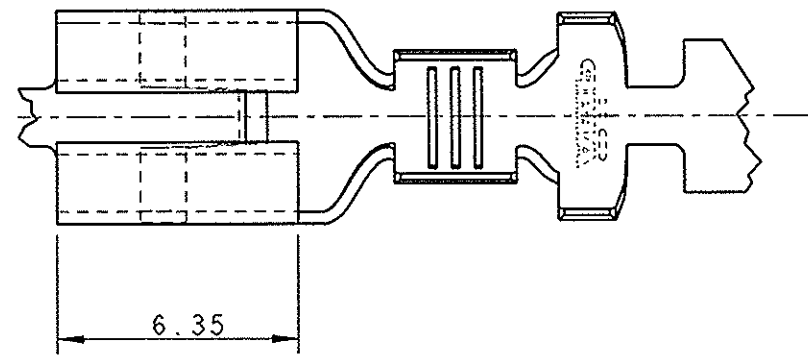
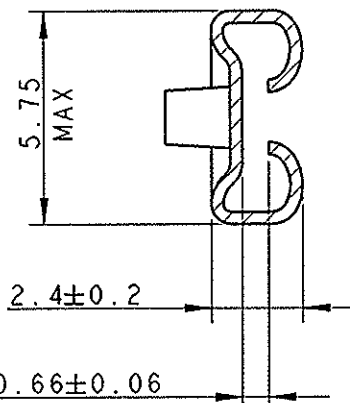
SECTION C-C



SECTION D-D

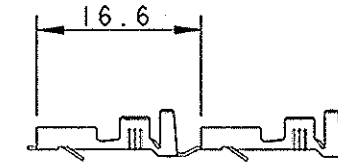


SECTION B-B



ADATTO PER UNA LINGUETTA DI 0.8 mm DI SPESSORE
(SUITABLE FOR 0.8 mm THK TAB)

1) CONDIZIONI DI FORNITURA
(SUPPLYING CONDITION)



SENSO DI USCITA DELLA BOBINA
(DIRECTION OFF TOP OF REEL)

2) BOBINATO SU BOBINA DA 12" CON CARTA INTERPOSTA TRA LE SPIRE
(REELED ON 12" CARTON REEL WITH INTERLEAVE PAPER STRIP)

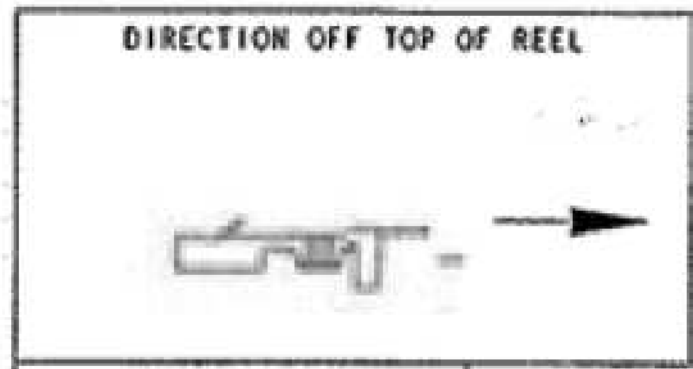
DIAMETRO ISOLANTE 3.0 - 4.3 mm
(INS. DIA. RANGE 3.0-4.3mm)

RANGO FILO 1.0-2.5 mm²
(WIRE RANGE 1.0-2.5 mm²)

PART NUMBER 281197-2 AS SHOWN

3) PN 281197-6 is same as 281197-2, carton reel and interleave paper is customer specific.

REELING DIRECTION FOR PN 281197-5



THIS DRAWING IS A CONTROLLED DOCUMENT FOR TYCO ELECTRONICS CORPORATION
IT IS SUBJECT TO CHANGE AND THE CONTROLLING ENGINEERING ORGANIZATION
SHOULD BE CONTACTED FOR THE LATEST REVISION.

DIMENSIONS:		TOLERANCES UNLESS OTHERWISE SPECIFIED:	
mm			
	0 PLC	±0.3	
	1 PLC	±-	
	2 PLC	±-	
	3 PLC	±-	
	4 PLC	±-	
	ANGLES	±2°	
MATERIAL		FINISH	
BRONZO FOSFOROSO (PH. BRONZE)		PRE-STAGNATO (Pre-tin plated)	

DWN	A. Vecchia	17MAY2004
CHK	G. Tartari	17MAY2004
APVD	G. Turco	17MAY2004
PRODUCT SPEC	20020	
APPLICATION SPEC	20011	
WEIGHT	-	
CUSTOMER DRAWING		

		TE Connectivity	
NAME			
FASTIN-FASTON Connector			
4.8 mm sr. REC. CONTACT			
SIZE	CAGE CODE	DRAWING NO	RESTRICTED TO
A3	00779	C-281197	
SCALE		SHEET	OF
5:1		1	1
		REV	L3