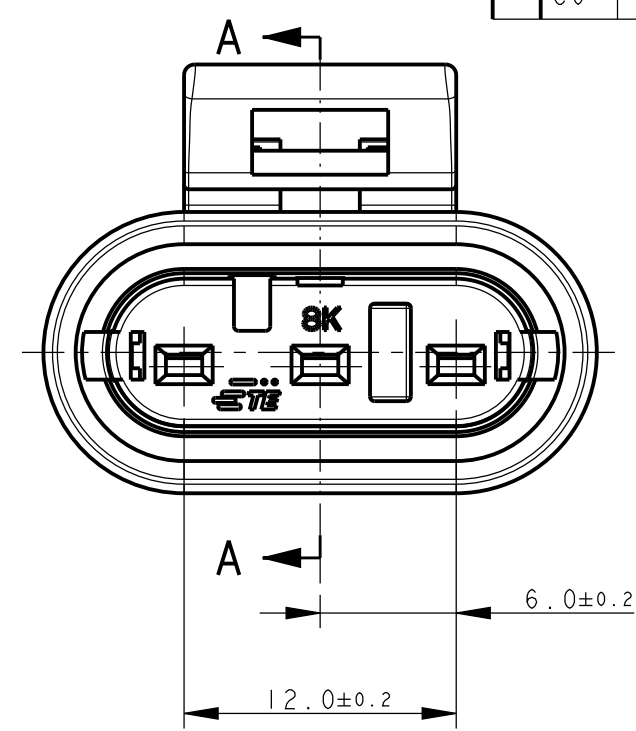
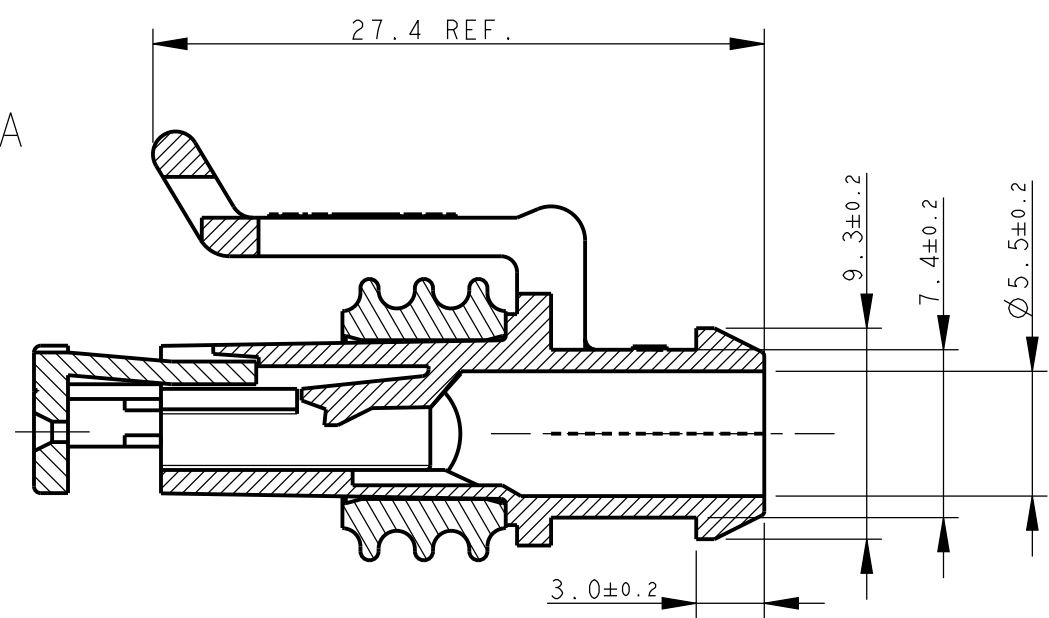


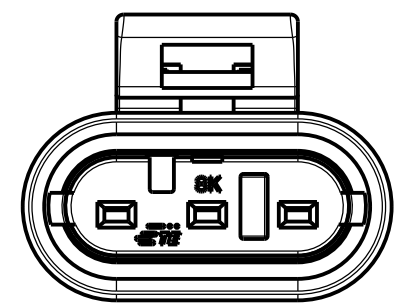
THIS DRAWING IS UNPUBLISHED. RELEASED FOR PUBLICATION 2011
 © COPYRIGHT 2011 ALL RIGHTS RESERVED.

P	LTR	DESCRIPTION	DATE	DWN	APVD
C3		REVISED PER ECO-17-001706	10FEB2017	C. A.	M. G.
C4		REVISED PER ECO-18-012780	13AUG2018	AP	VN
C5		REVISED PER ECO-19-017338	15NOV2019	AP	VN
C6		REVISED PER ECR-21-103343	19MAY2021	AP	VN

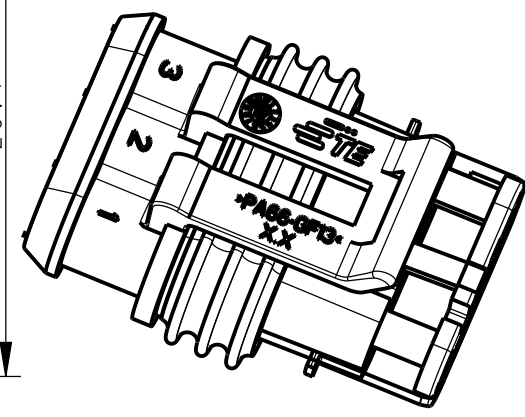
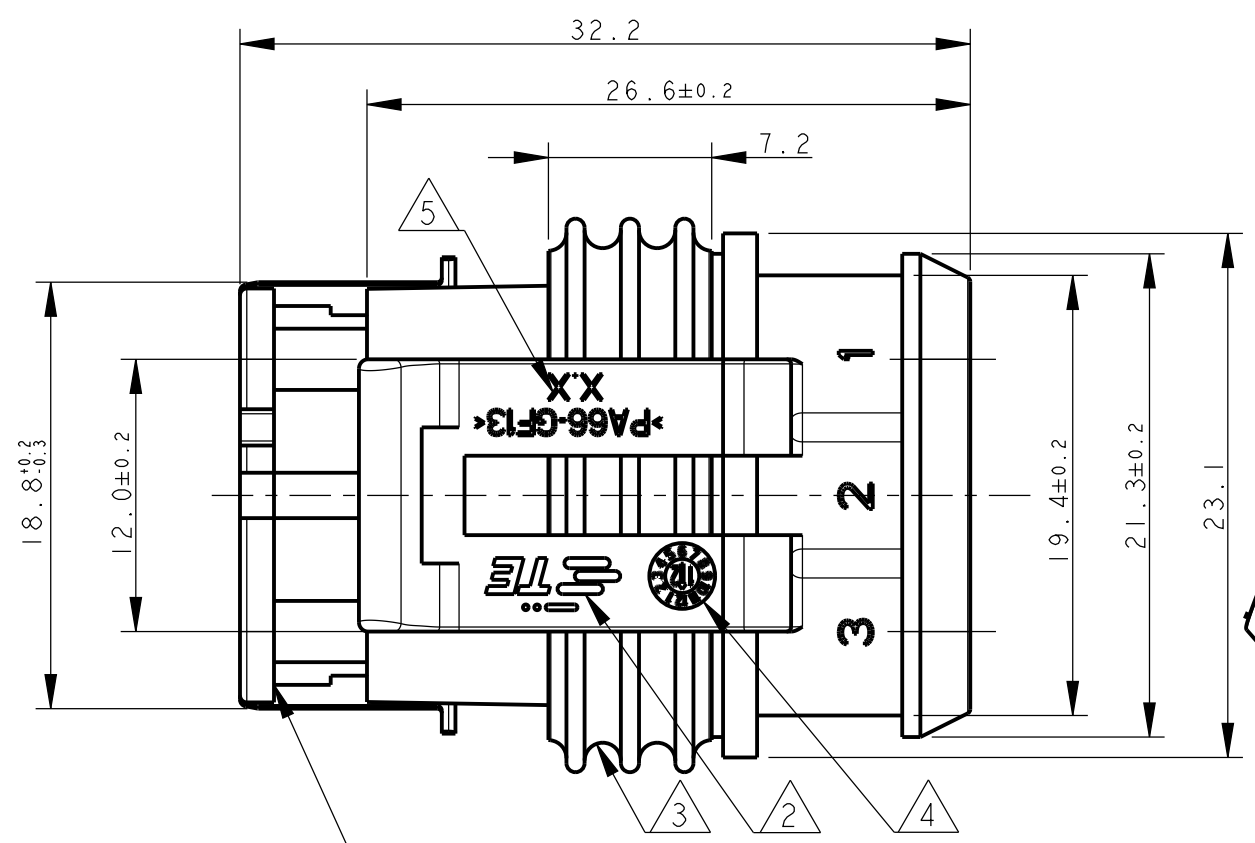
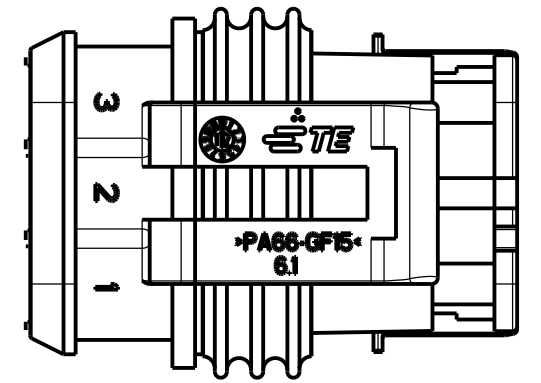
SECTION A-A



ONLY FOR BRAZILIAN PRODUCTION



ONLY FOR INDIAN PRODUCTION
282087-3



(*) PRELIMINARY

FINISH/COLOR	MATERIAL	PART NUMBER
HSG-WHITE, SL-WHITE	ACC. TO IEC 60335-1 HSG+SL: PA66GF20 UL94-V2 SEALING: LSR	1745083-1
HSG-GRAY, SL-RED	HOUSING+SEC.LOCK:PA 66-GF SEALING: FSL	1-282087-2 (*)
HSG-BLACK, SL-RED		1-282087-1 (*)
HSG-BLACK, SL-RED	HOUSING+SEC.LOCK:PA 66-GF SEALING: LSR	282087-3
HSG-GRAY, SL-RED		282087-2
HSG-BLACK, SL-RED		282087-1

1) FOR COUNTERPART DETAILS, SEE SHEET 2 OF 2

- 2) TE CONNECTIVITY TRADE MARK, (IN ALTERNATIVE: "AMP" LOGO, OR "Tyco Electronics" LOGO)
- 3) SEALING (COLOUR YELLOW FOR LSR VERSION) (COLOUR WHITE FOR FSL VERSION)
- 4) DATECODE (OPTIONAL IN OLD MOULDS).
- 5) MOULD/MOULD CAVITY NUMBER

THIS DRAWING IS A CONTROLLED DOCUMENT.	
DIMENSIONS: mm	TOLERANCES UNLESS OTHERWISE SPECIFIED:
	0 PLC ± 1 PLC ±0.3 2 PLC ± 3 PLC ± 4 PLC ± ANGLES ±2°
MATERIAL SEE TABLE	FINISH SEE TABLE

DWN C. BERTINI 07-1990	NAME
CHK A. BRUNI 07-1990	
APVD	
PRODUCT SPEC 108-20090	
APPLICATION SPEC 412-20000	
WEIGHT 3.65gr	
Customer Drawing	

STE TE Connectivity

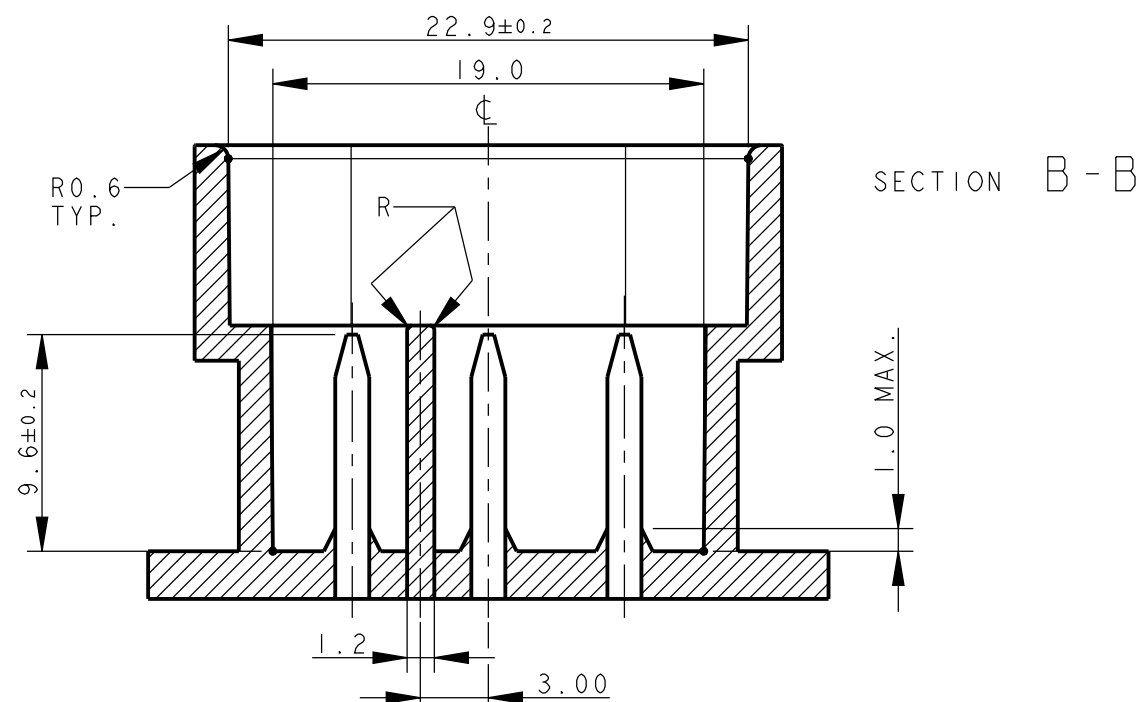
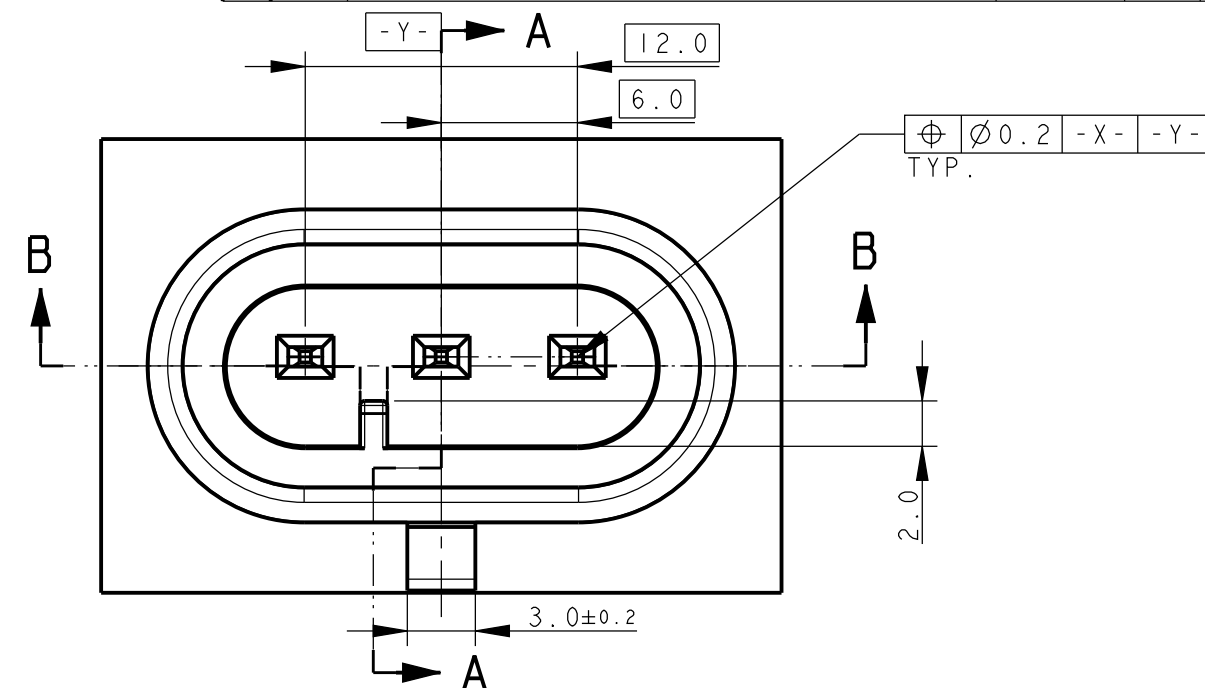
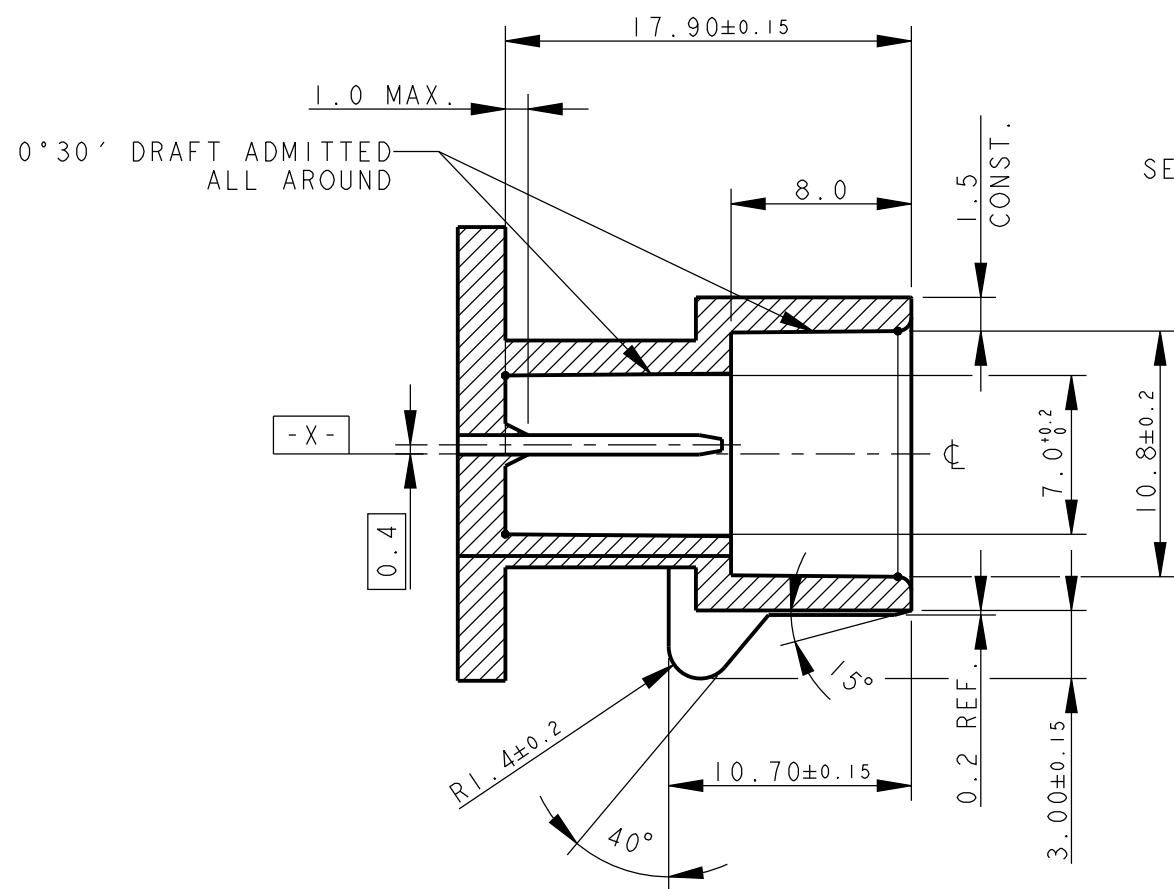
AMP SUPERSEAL 1.5 SRS.
3 POSITIONS PLUG ASS'Y

SIZE A3	CAGE CODE 00779	DRAWING NO C-282087	RESTRICTED TO
SCALE 5:1	SHEET 1 OF 2	REV C6	

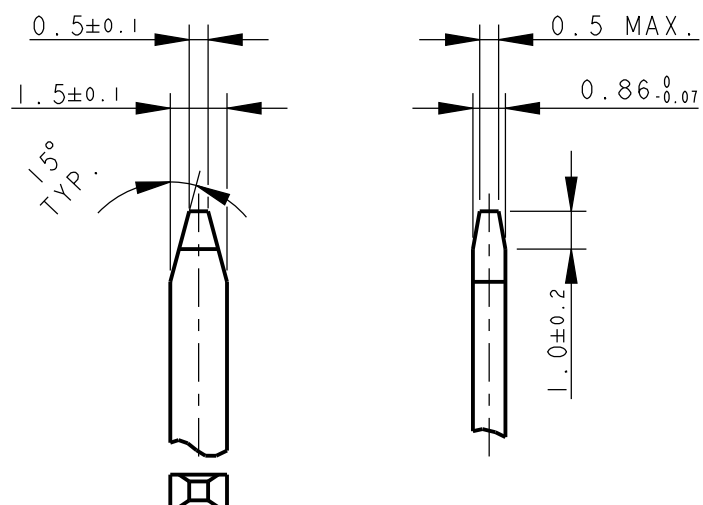
REVISIONS

P	LTR	DESCRIPTION	DATE	DWN	APVD
-	-	SEE SHEET 1	-	-	-

COUNTERPART DETAILS



TAB DETAILS



MATERIALS: PA66-GF FOR HOUSING
 TIN PLATED BRASS FOR TABS
 FOR PN 1745083-1; COUNTER PART MATL
 PART PA66-GF ACC TO IEC60335-1
 PRODUCT SPEC: 108-20090-2

THIS DRAWING IS A CONTROLLED DOCUMENT.		DWN C. BERTINI 07-1990	TE Connectivity		
DIMENSIONS: mm		CHK A. BRUNI 07-1990			
TOLERANCES UNLESS OTHERWISE SPECIFIED:		APVD -	NAME -		
0 PLC ±0.3 1 PLC ±0.1 2 PLC ±0.05 3 PLC ± 4 PLC ± ANGLES ±2°		PRODUCT SPEC 108-20090	AMP SUPERSEAL 1.5 SRS. 3 POSITIONS PLUG ASS'Y		
MATERIAL		APPLICATION SPEC 412-20000	SIZE A3	CAGE CODE 00779	DRAWING NO C-282087
FINISH		WEIGHT 3.65gr	RESTRICTED TO -		
		Customer Drawing	SCALE 3:1	SHEET 2 OF 2	REV C6