

THIS DRAWING IS UNPUBLISHED.

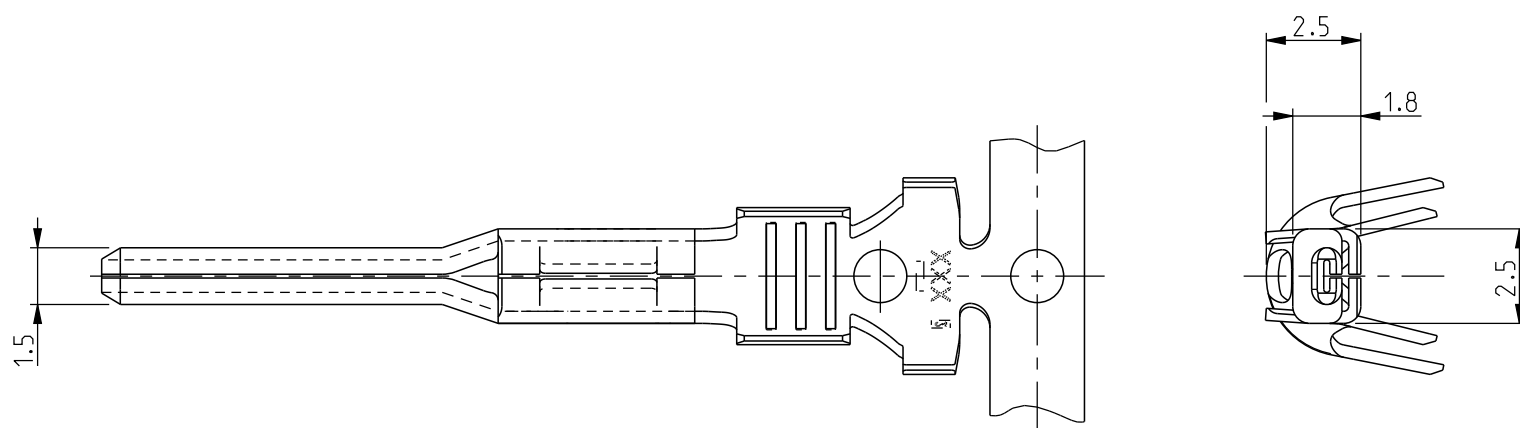
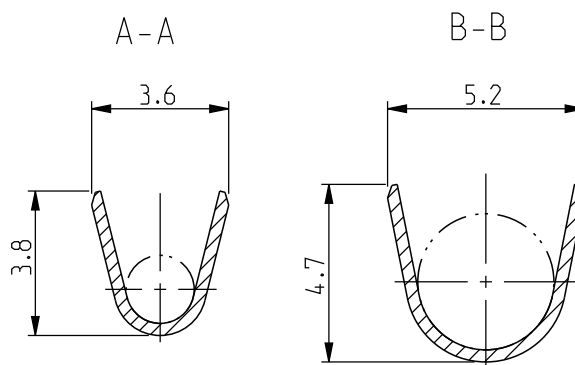
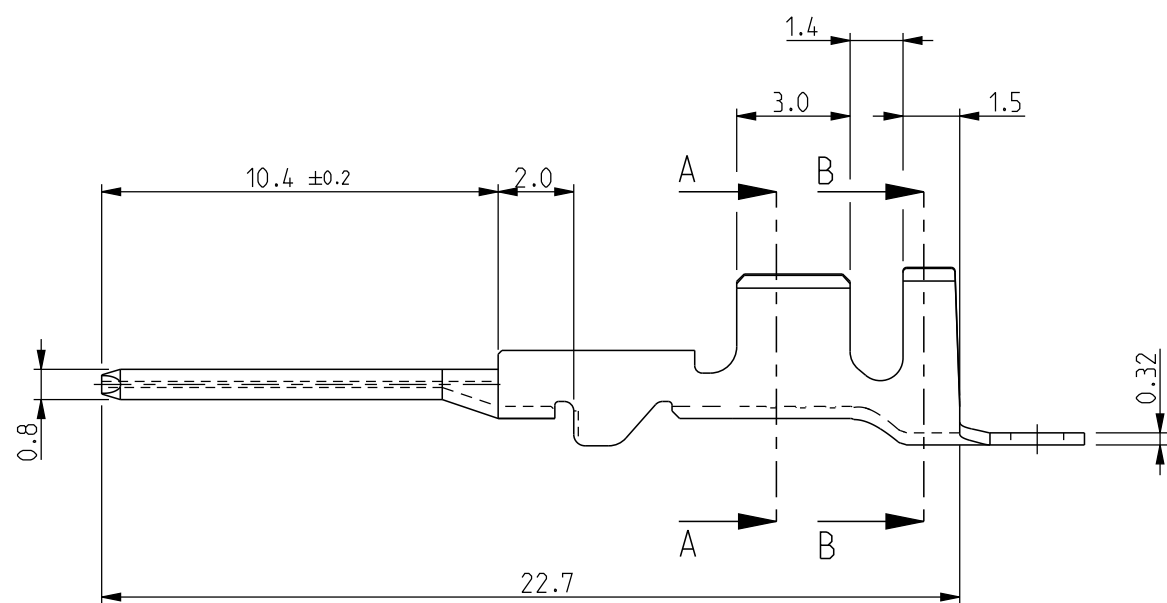
RELEASED FOR PUBLICATION

© COPYRIGHT copyright_date BY -

ALL RIGHTS RESERVED.

REVISIONS

P	LTR	DESCRIPTION	DATE	DWN	APVD
	A2	REDRAWN TO CREO	19APR2017	JJH	JP

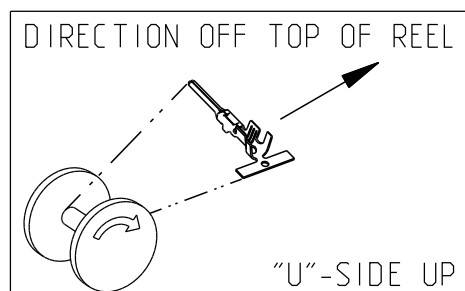


1. DELIVERY STATE: WRAPPED UP ROLL WITH STEP BETWEEN TERMINALS = 11.9 ± 0.2 mm
 STATO DI FORNITURA: AVVOLTI SU BOBINA CON PASSO TRA TERMINALI DI = 11.9 ± 0.2 mm

2. SUITABLE FOR SINGLE WIRE SEAL TE PN 281934
 ADDETTO PER GOMMINO TE 281934

3. MAX. CURRENT CAPACITY: 14A

CUSTOMER DRAWING FOR INFORMATION ONLY DISEGNO PER CLIENTE SOLO PER RIFERIMENTO	PRE-TIN (PRE-STAGNATO)	BRASS (OTTONE)	282465-1
	FINISH/COLOUR (FINITURE/COLORE)	MATERIAL (MATERIALE)	PART NUMBER



INS. DIA. RANGE (DIAM. ISOLANTE)	WIRE RANGE (RANGO FILO)
$\triangle 2$	1.5-2.5mm ²

THIS DRAWING IS A CONTROLLED DOCUMENT.		DWN BERTINI 12DEC1992	TE Connectivity														
DIMENSIONS: mm		CHK A. BRUNI 12DEC1992															
TOLERANCES UNLESS OTHERWISE SPECIFIED:		APVD -	NAME MINI MIC RS TAB CONTACT														
<table border="1"> <tr> <td>0 PLC</td> <td>±</td> </tr> <tr> <td>1 PLC</td> <td>±</td> </tr> <tr> <td>2 PLC</td> <td>±</td> </tr> <tr> <td>3 PLC</td> <td>±</td> </tr> <tr> <td>4 PLC</td> <td>±</td> </tr> <tr> <td>ANGLES</td> <td>±2°</td> </tr> </table>		0 PLC	±	1 PLC	±	2 PLC	±	3 PLC	±	4 PLC	±	ANGLES	±2°	PRODUCT SPEC -	SIZE A3		
0 PLC	±																
1 PLC	±																
2 PLC	±																
3 PLC	±																
4 PLC	±																
ANGLES	±2°																
MATERIAL		APPLICATION SPEC 114-20045	CAGE CODE -	DRAWING NO C=282465	RESTRICTED TO -												
FINISH		WEIGHT -	SCALE 5:1														
		CUSTOMER DRAWING		SHEET 1 OF 1	REV A2												