

THIS DRAWING IS UNPUBLISHED.

RELEASED FOR PUBLICATION

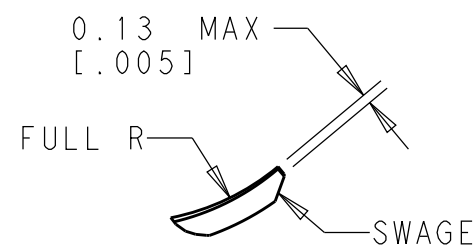
2019

© COPYRIGHT 2019 BY -

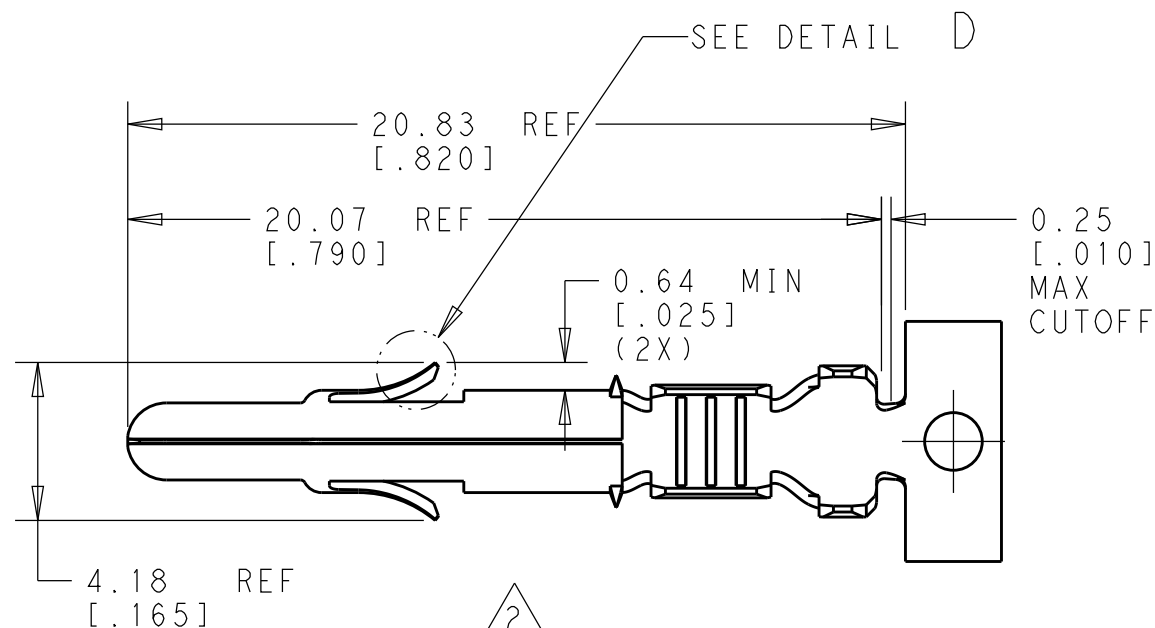
ALL RIGHTS RESERVED.

REVISIONS

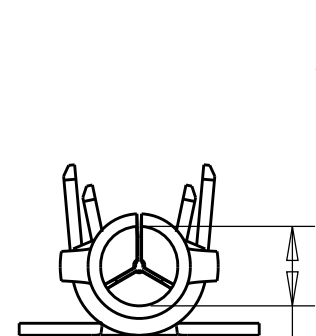
P	LTR	DESCRIPTION	DATE	DWN	APVD
	AA	REVISED PER ECO-19-006991	15MAY2019	BKW	SF
	AA1	REVISED PER ECO-19-009144	17JUN2019	BKW	SF
	AA2	REVISED PER ECO-19-011413	24JUL2019	BKW	SF
	AA3	REVISED PER ECO-19-012708	16AUG2019	BKW	SF



DETAIL D
SCALE 10:1

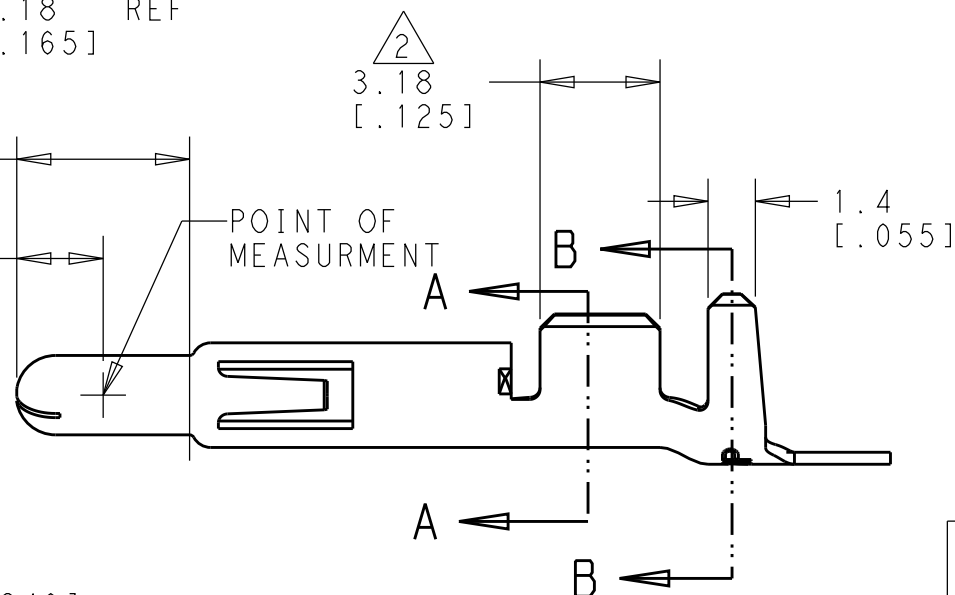


- 1 PLATED WITH 0.00076 [.000030] GOLD, OVER 0.00127 [.000050] NICKEL UNDERPLATE.
- 2 PLATED INTERNALLY WITH 0.00076 [.000050] GOLD.
- 3 INSULATION RANGE: 1.52-3.30 [.060-.130] DIAMETER

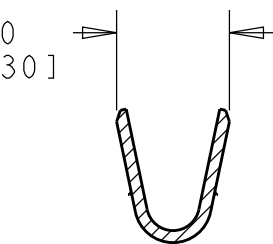


- 1 4.57 [.180]
- 2.29 [.090]

Ø 2.08-2.13
[.0815-.0840]

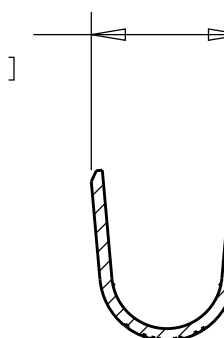


2.67-3.30
[.105-.130]



SECTION A-A

3.69-4.31
[.145-.170]



SECTION B-B

LOOSE PIECE (REF)	FINISH	MATERIAL	PART NUMBER
350547-7	GOLD 1	0.30 [.012] BRASS	350218-7
350547-6	GOLD 1	0.30 [.012] PH BRZ	350218-6
350547-3	PRE-TIN	0.30 [.012] PH BRZ	350218-3
350547-2	GOLD 1 2	0.30 [.012] BRASS	350218-2
350547-1	PRE-TIN	0.30 [.012] BRASS	350218-1

THIS DRAWING IS A CONTROLLED DOCUMENT.

DWN 19SEP2018
B. WEAVER

CHK 19SEP2018
S. FERNANDES

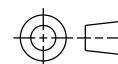
APVD 19SEP2018
S. FERNANDES



TE Connectivity

DIMENSIONS:
mm [IN]

TOLERANCES UNLESS
OTHERWISE SPECIFIED:



- 0 PLC ±-
- 1 PLC ±-
- 2 PLC ±-
- 3 PLC ±0.38 [.015]
- 4 PLC ±-
- ANGLES ±-

INSULATION RANGE: 3

WIRE RANGE:
20-14 AWG

MATERIAL -
FINISH -

PRODUCT SPEC

108-1031

APPLICATION SPEC

114-1010

WEIGHT -

NAME

PIN, UNIVERSAL
MATE-N-LOK

SIZE

CAGE CODE

DRAWING NO

RESTRICTED TO

A3

00779

C=350218

SCALE 5:1

SHEET 1 OF 1

REV AA3

CUSTOMER DRAWING