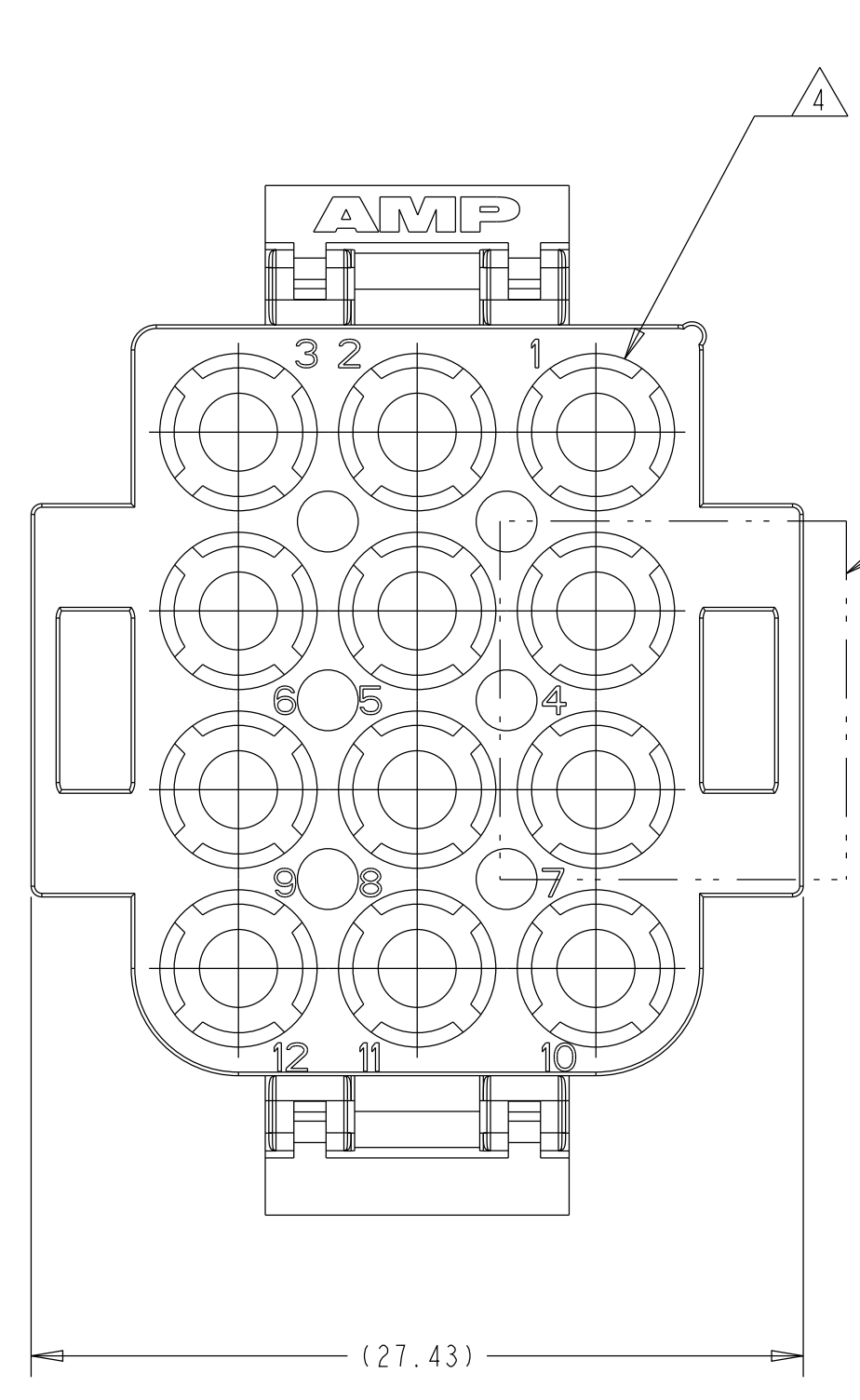


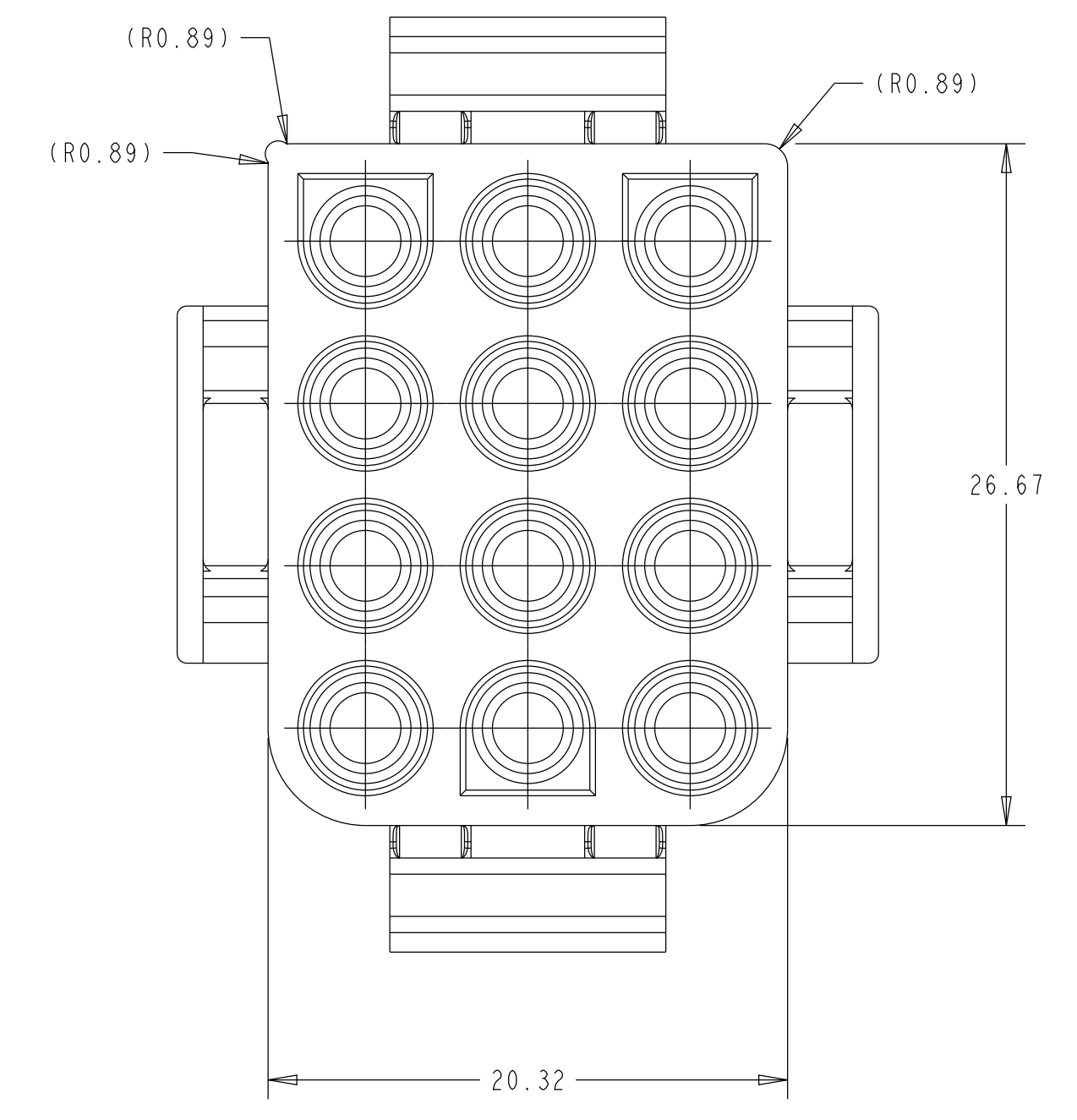
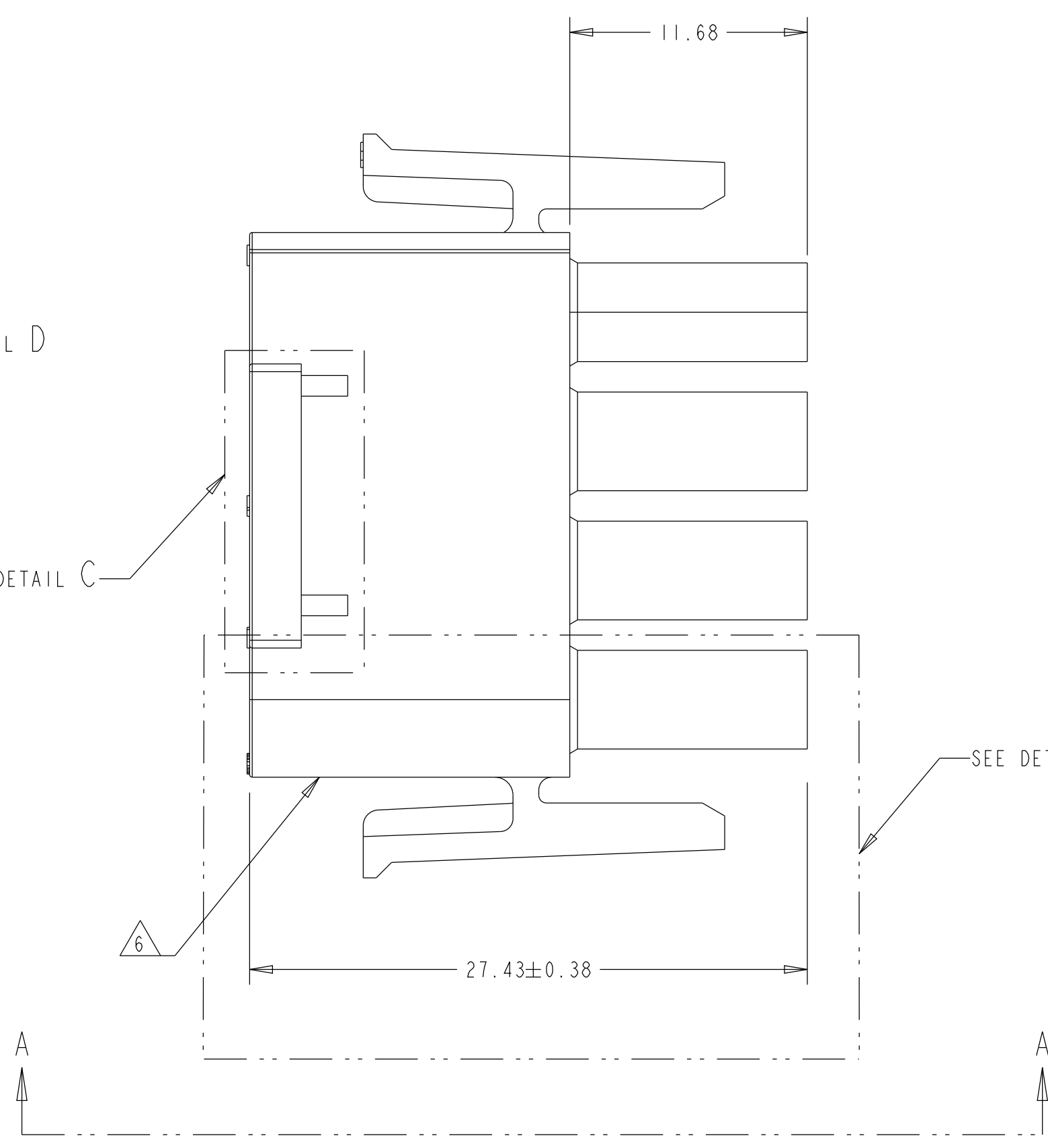
| REVISIONS | | | | |
|-----------|-----|---------------------------|-----------|-------|
| # | LTR | DESCRIPTION | DATE | APP'D |
| W | 4 | REVISED PER ECR-17-006277 | 24MAY2017 | BW KR |
| Y | | REVISED PER ECR-21-101881 | 20SEP2024 | AK BR |
| Z | | REVISED PER ECR-24-222968 | 09OCT2024 | AK BR |



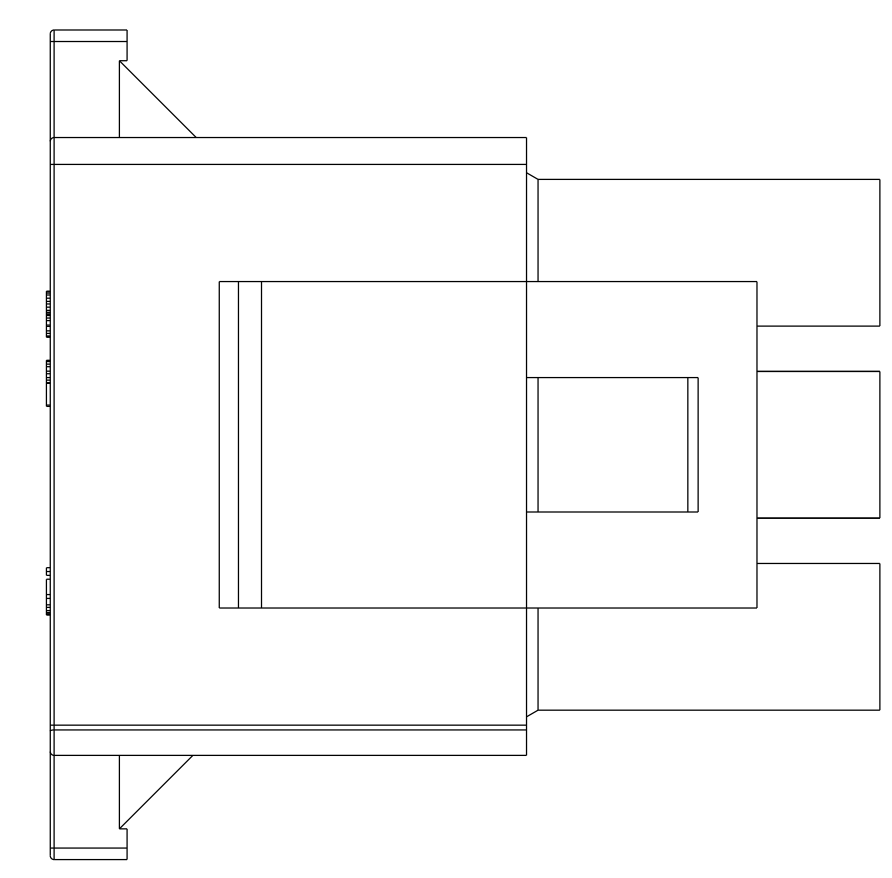
SEE DETAIL D

SEE DETAIL C

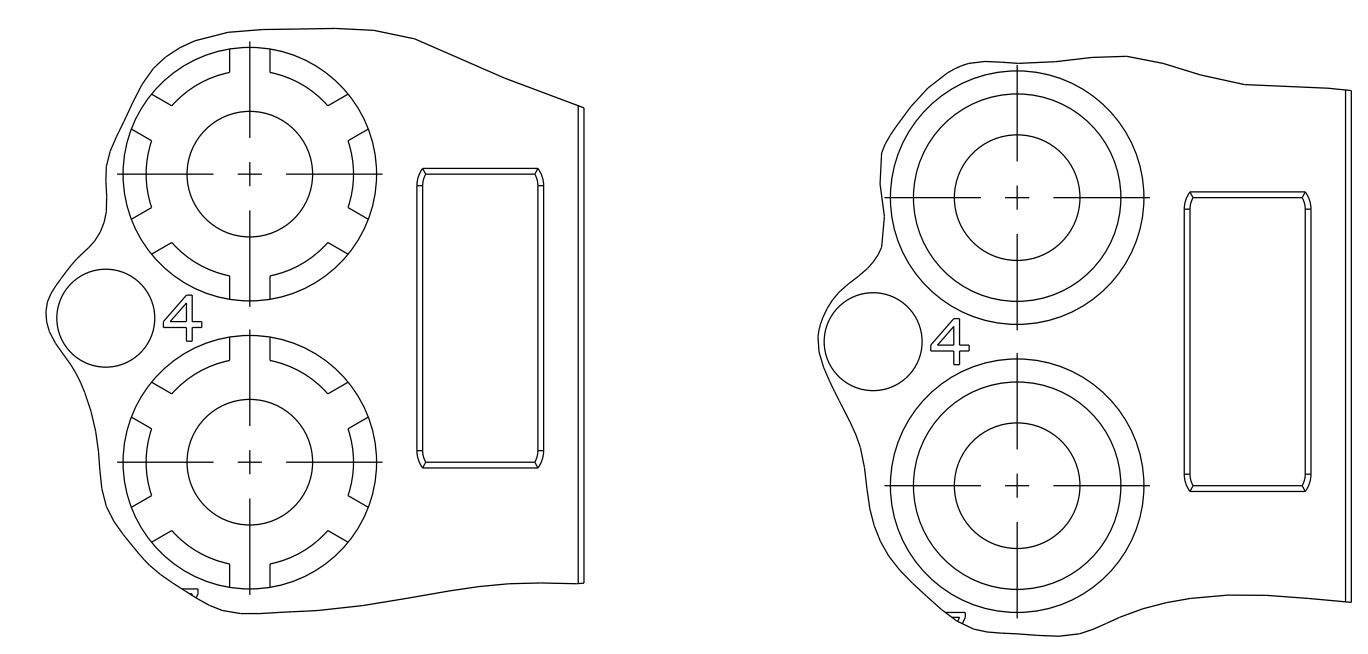
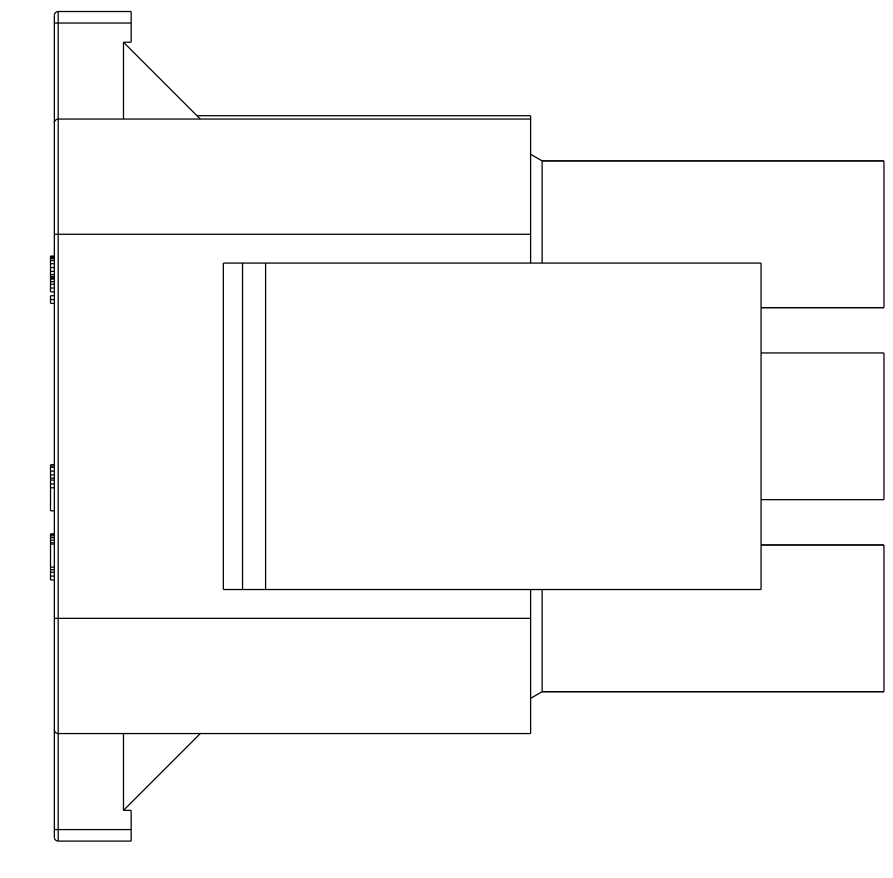
SEE DETAIL B



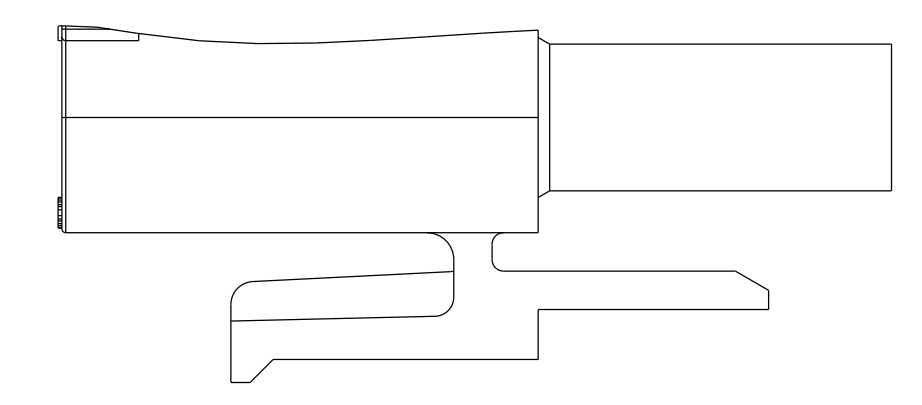
- 1 MATES WITH APPROPRIATE UNIVERSAL MATE-N-LOK™ CAP OR HEADER.
- 2 SMALL NICKS ARE PERMITTED ON THE CIRCUIT TOWERS WHICH COULD INCREASE THE INITIAL HOUSING MATING FORCE BY UP TO 4.4 NEWTONS (1.0J LBS.). NO INDIVIDUAL NICKED TOWER SHALL INCREASE THIS FORCE BY OVER 2.2 NEWTONS (0.5J LBS.).
- 3 DIMENSIONS SHOWN REPRESENT PRODUCT IN DRY, AS MOLDED, CONDITION. ADDITIONAL 2% GROWTH DUE TO SUBSEQUENT MOISTURE ABSORPTION MAY OCCUR AND SHOULD BE ACCOUNTED FOR.
- 4 FOUR RIBS EQUALLY SPACED, NO SPECIFIC ORIENTATION, NO RIBS OR SIX RIBS EQUALLY SPACED, NO SPECIFIC ORIENTATION, OPTIONAL.
- 5 NOT MANUFACTURED IN U.S
- 6 UNDERWRITERS RECOGNIZED COMPONENT LOGO AND CSA CERTIFICATION LOGO TO BE LOCATED ONCE ON EACH SIDE OF HOUSING..



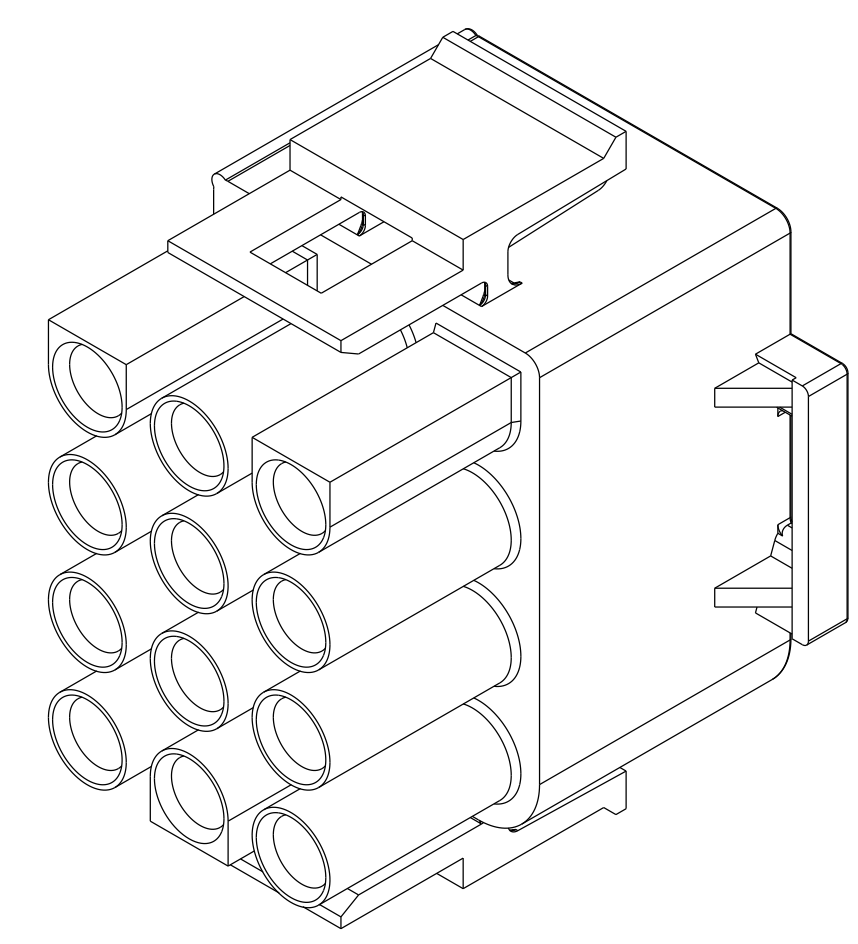
VIEW A-A
350735-4 ONLY



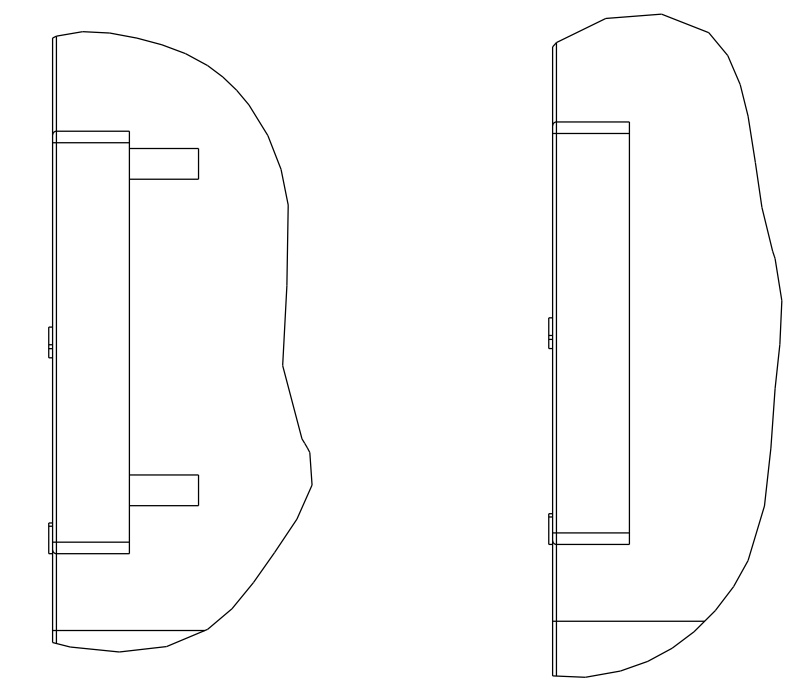
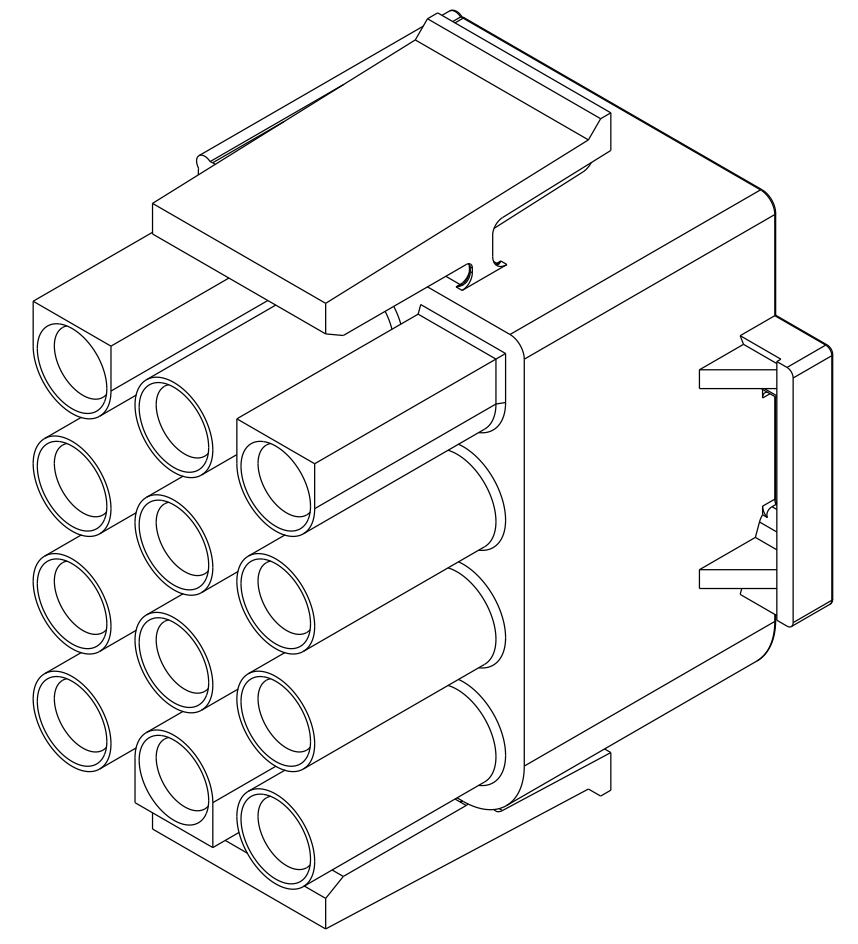
DETAIL D
OPTIONAL CONSTRUCTIONS



DETAIL B
350735-4 ONLY



350735-4 ONLY



DETAIL C
OPTIONAL CONSTRUCTION

| MM | IN |
|-------|-------|
| 27.43 | 1.080 |
| 26.67 | 1.050 |
| 20.32 | .800 |
| 11.68 | .460 |
| 0.38 | .015 |
| 0.13 | .005 |
| MM | IN |

CONVERSION TABLE

| | |
|---------|-------------|
| BLACK | 1-350735-9 |
| GRAY | 1-350735-8 |
| BLUE | 1-350735-6 |
| GREEN | 1-350735-5 |
| YELLOW | 1-350735-4 |
| ORANGE | 1-350735-3 |
| RED | 1-350735-2 |
| BROWN | 1-350735-1 |
| NATURAL | 350735-4 |
| NATURAL | 350735-1 |
| COLOR | PART NUMBER |

SUPERCEDED BY 1-350735-2

THIS DRAWING IS A CONTROLLED DOCUMENT.

| | | | |
|--|-----------|------------|--|
| OWN: K. WHITAKER | 23FEB2006 | | NAME: PLUG, 12 CIRCUIT, UNIVERSAL MATE-N-LOK PRODUCT SPEC: - APPLICATION SPEC: - SIZE: 114-1010 WEIGHT: - MATERIAL: NYLON, UL 94V-0 |
| CHK: S. RIDGILL | 23FEB2006 | | |
| APP'D: S. RIDGILL | 23FEB2006 | | |
| TOLERANCES UNLESS OTHERWISE SPECIFIED: | | | |
| DIMENSIONS: | | SCALE: 4:1 | SHEET 1 OF 1 |
| 0 PLC ± | | REV Z | |
| 1 PLC ± | | | |
| 2 PLC ±0.13 | | | |
| 3 PLC ± | | | |
| 4 PLC ± | | | |
| ANGLES ±0°30' | | | |
| FINISH | | | |