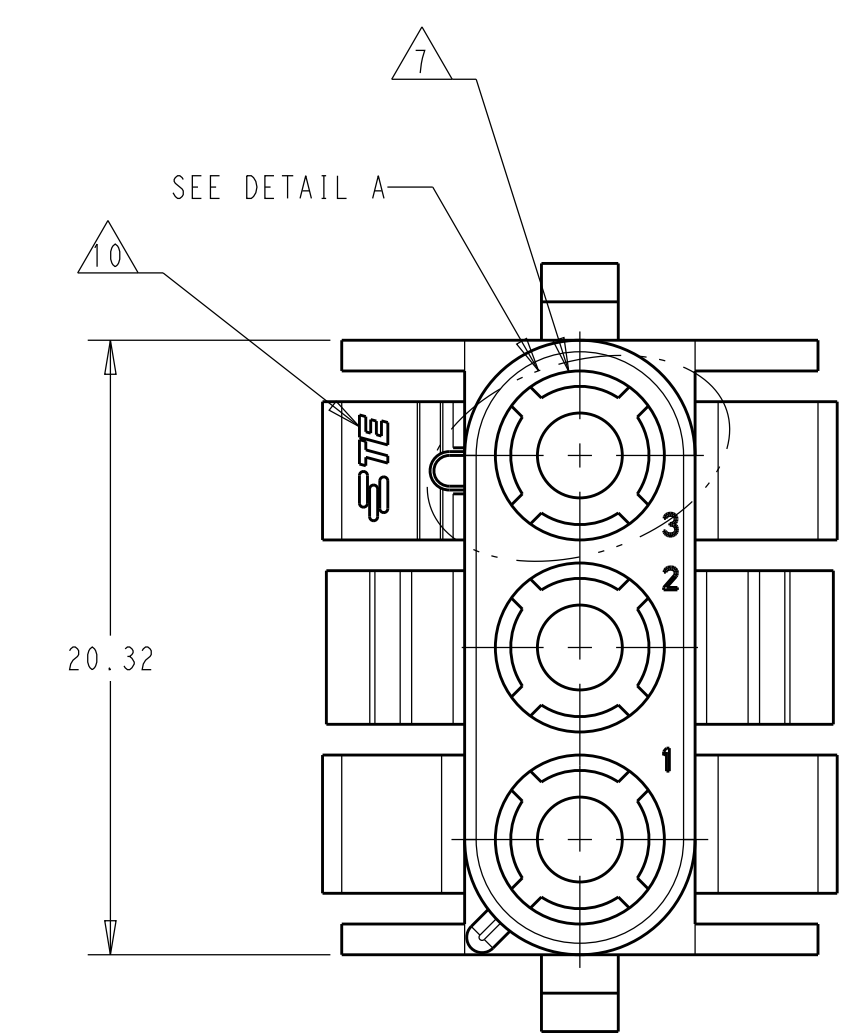
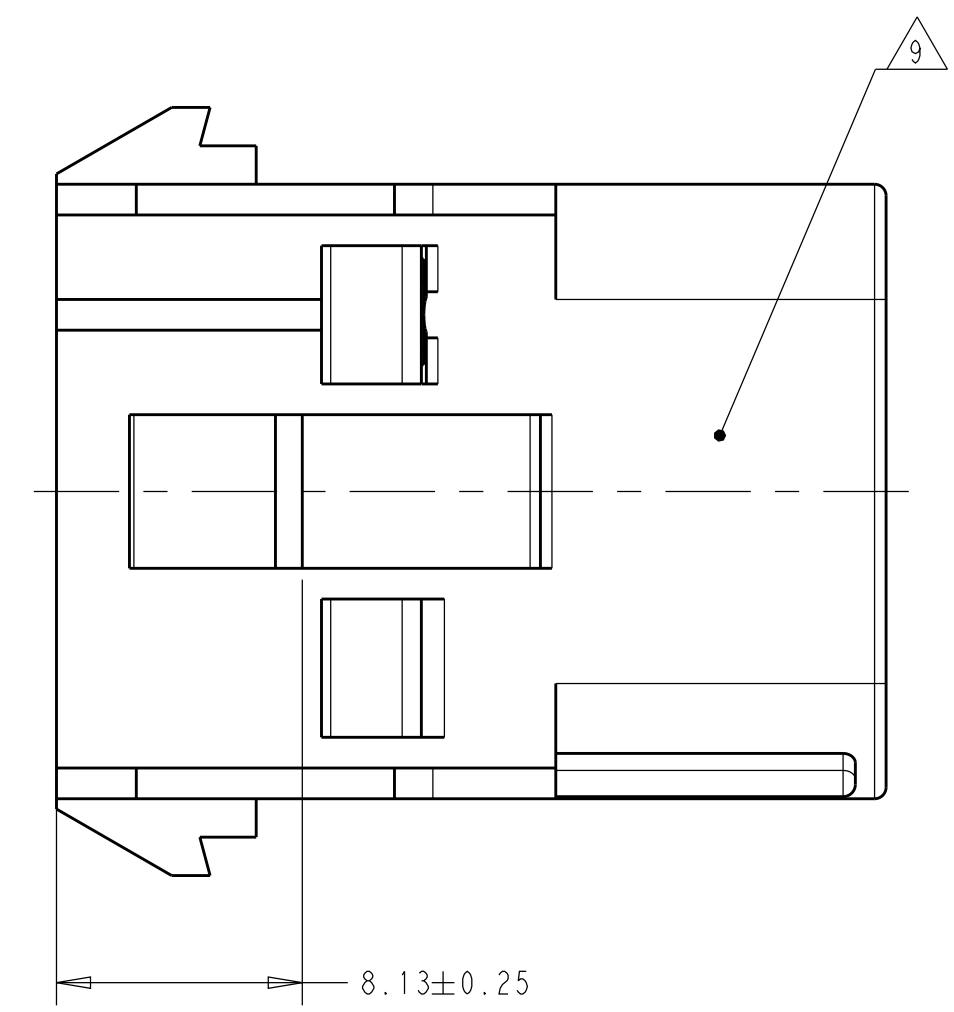
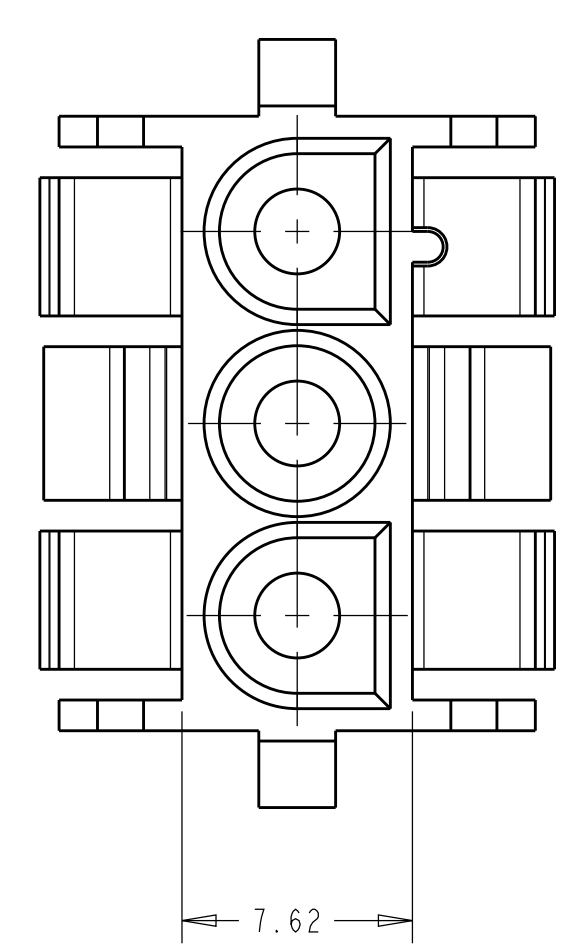
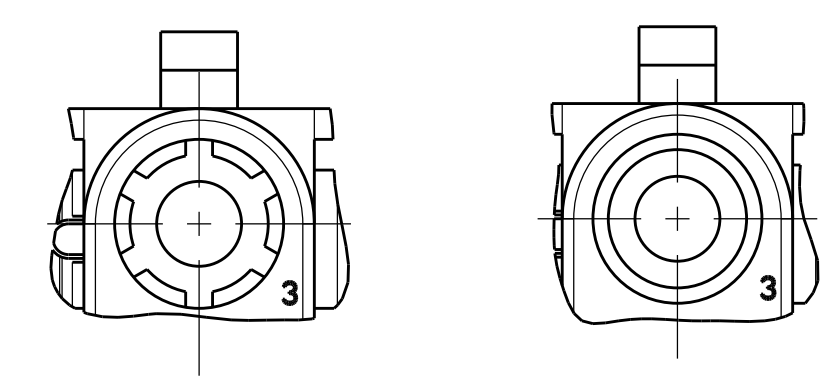


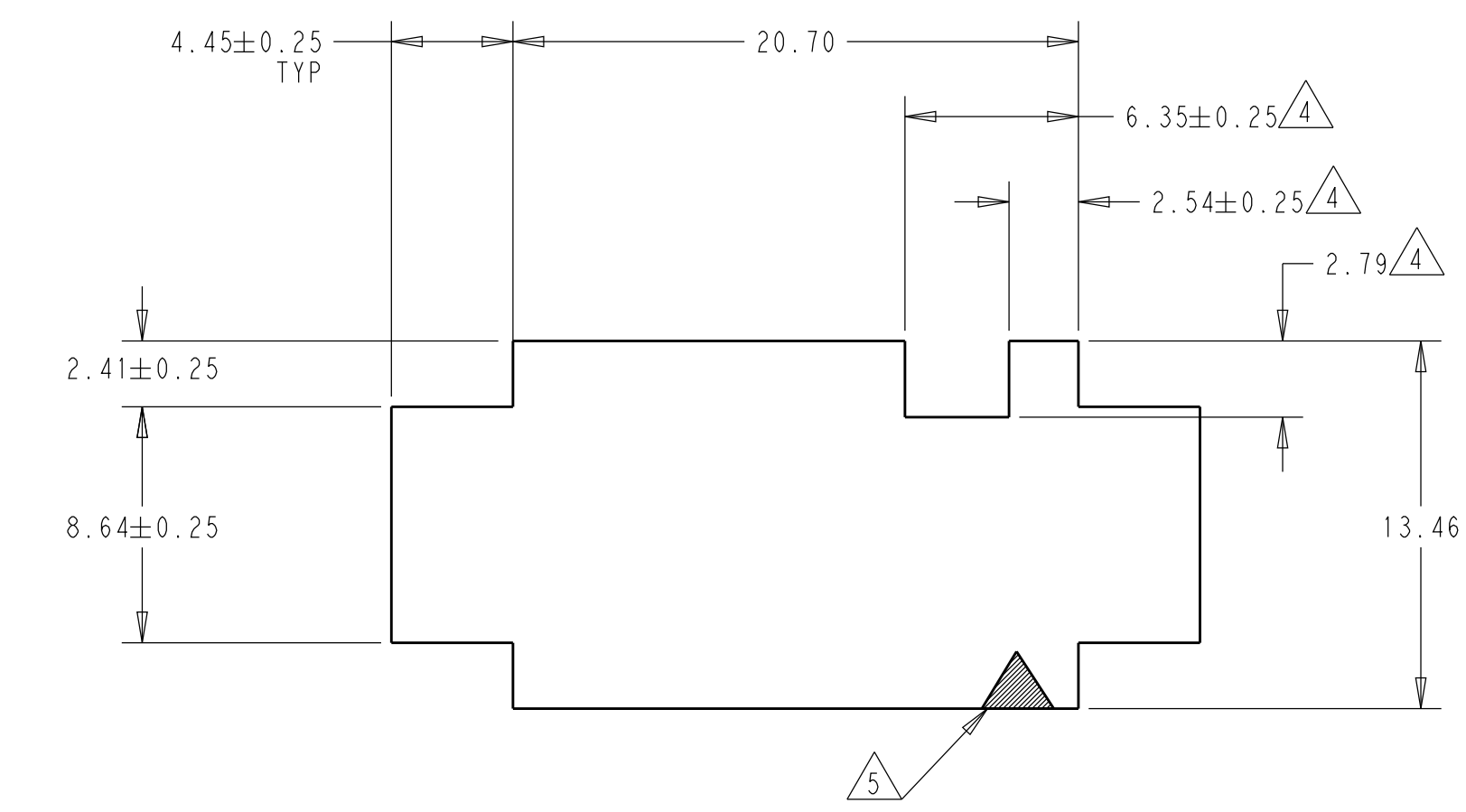
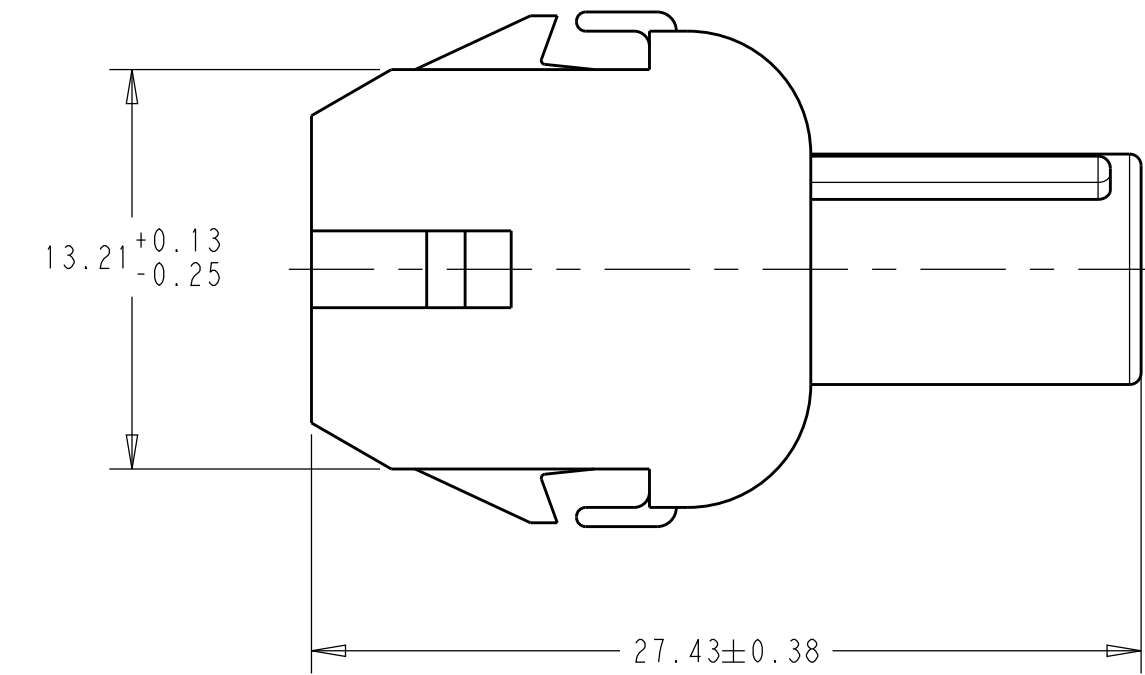
REVISIONS					
#	LTR	DESCRIPTION	DATE	OWN	APPD
Y5		REDRAWN PER ECO-19-005708	01MAY2019	BKW	SF
Z		REVISED PER ECO-20-006810	02JUN2020	BKW	SF



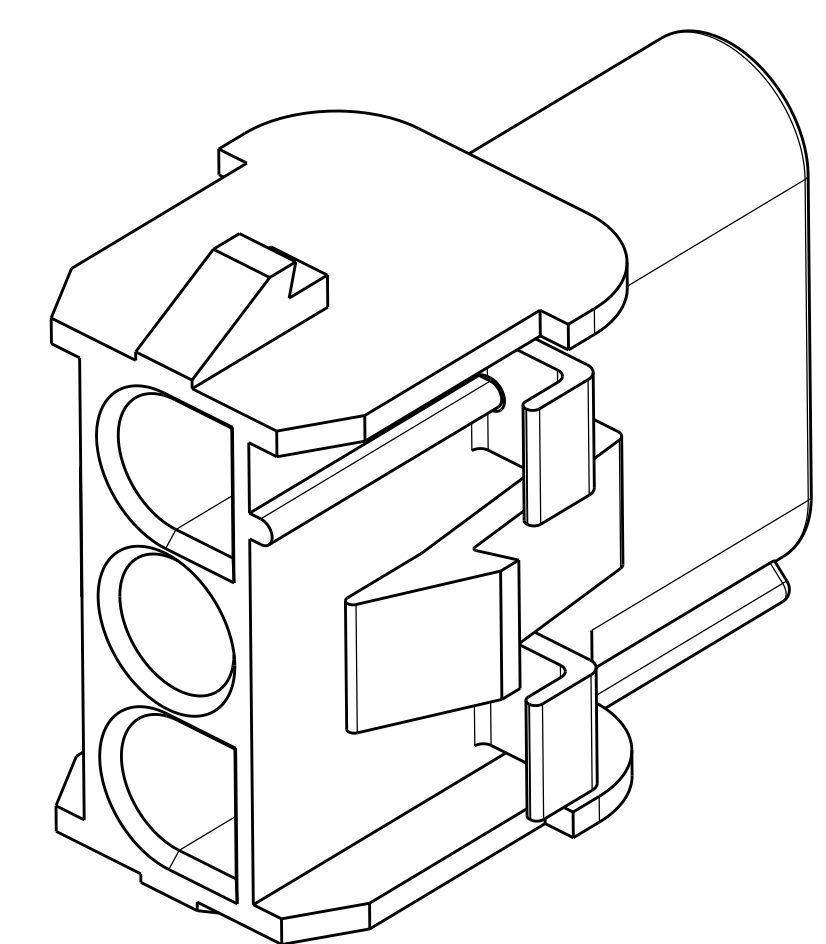
1. MATES WITH APPROPRIATE UNIVERSAL MATE-N-LOCK™ PLUG
2. RECOMMENDED PANEL THICKNESS 0.76 - 2.29.
3. PANEL MUST BE PUNCHED SO THAT THE HOUSING ENTERS THE PANEL IN THE SAME DIRECTION AS THE PUNCH.
4. OPTIONAL FOR KEYING HOUSING IN PANEL.
5. CIRCUIT NUMBER 1 LOCATION.
6. DIMENSIONS SHOWN REPRESENT PRODUCT IN DRY, AS MOLDED, CONDITION. ADDITIONAL 2% GROWTH DUE TO SUBSEQUENT MOISTURE ABSORPTION MAY OCCUR AND SHOULD BE ACCOUNTED FOR.
7. FOUR RIBS EQUALLY SPACED, NO SPECIFIC ORIENTATION. NO RIBS OR SIX RIBS EQUALLY SPACED, NO SPECIFIC ORIENTATION, OPTIONAL.
8. FOR FOREIGN PRODUCTION ONLY.
9. UNDERWRITERS RECOGNIZED COMPONENT LOGO AND CSA CERTIFICATION LOGO TO BE LOCATED ONCE EACH ON SIDE OF HOUSING.
10. TRADEMARK LOCATION: AMP OR TE



DETAIL A  
OPTIONAL CONSTRUCTIONS



RECOMMENDED PANEL CUT OUT



COLOR	MATERIAL	PART NUMBER	
BLACK	NYLON UL94V-0	1-350767-9	
OBSOLETE	GRAY	NYLON UL94V-0	1-350767-8
OBSOLETE	BLUE	NYLON UL94V-0	1-350767-6
OBSOLETE	GREEN	NYLON UL94V-0	1-350767-5
OBSOLETE	YELLOW	NYLON UL94V-0	1-350767-4
OBSOLETE	ORANGE	NYLON UL94V-0	1-350767-3
OBSOLETE	RED	NYLON UL94V-0	1-350767-2
OBSOLETE	BROWN	NYLON UL94V-0	1-350767-1
OBSOLETE	NATURAL	NYLON UL94V-0	350767-2
	NATURAL	NYLON UL94V-0	350767-1

THIS DRAWING IS A CONTROLLED DOCUMENT.

OWN: B. WEAVER 01MAY2019  
CHK: S. FERNANDES 01MAY2019  
APPD: T. BENCHOFF 01MAY2019

DIMENSIONS: mm  
TOLERANCES UNLESS OTHERWISE SPECIFIED:  
0 PLC ±  
2 PLC ±  
3 PLC ±  
4 PLC ±0.13  
ANGLES ±0°30'

MATERIAL: SEE TABLE

PRODUCT SPEC: 108-1031  
APPLICATION SPEC: 114-1010  
WEIGHT: -  
CUSTOMER DRAWING

NAME: CAP, 3 CIRCUIT, UNIVERSAL MATE-N-LOCK  
SIZE: A1  
CAGE CODE: 00779  
DRAWING NO: 350767  
RESTRICTED TO: -

SCALE: 4:1  
SHEET: 1 OF 1  
REV: Z