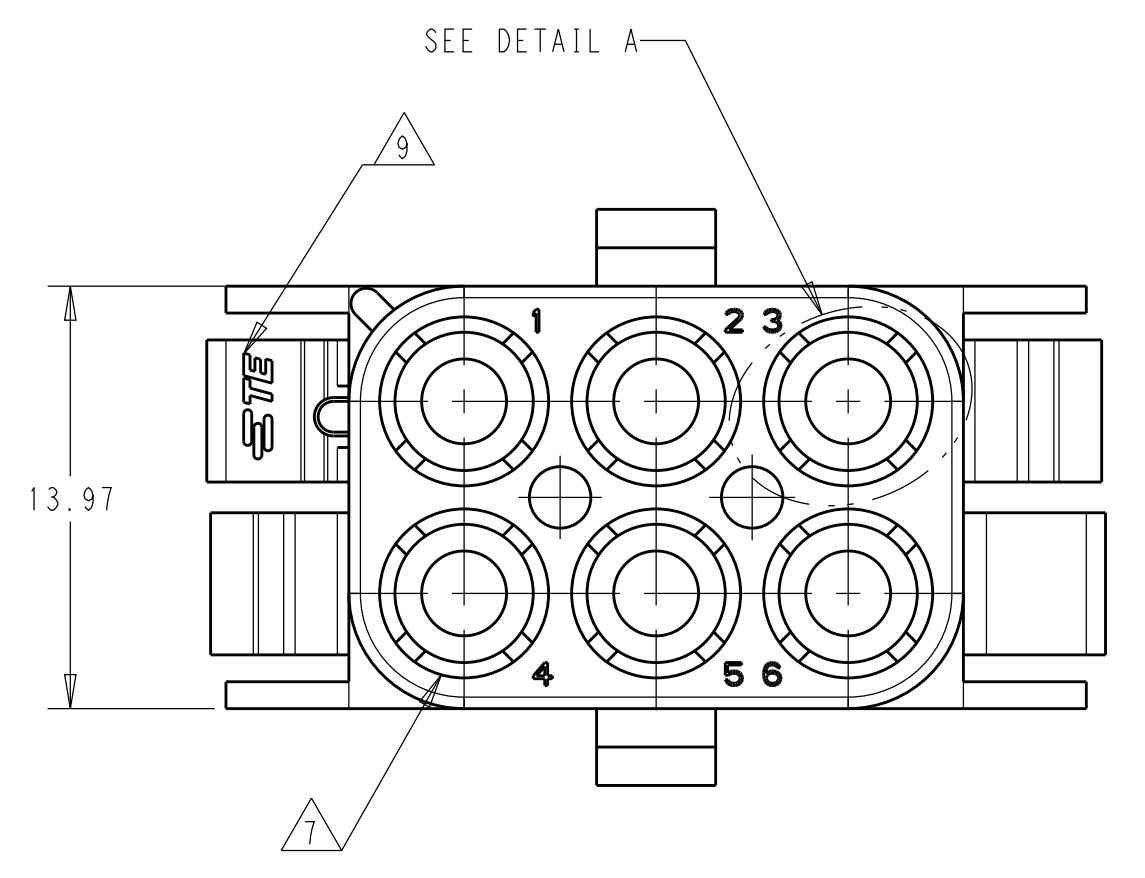
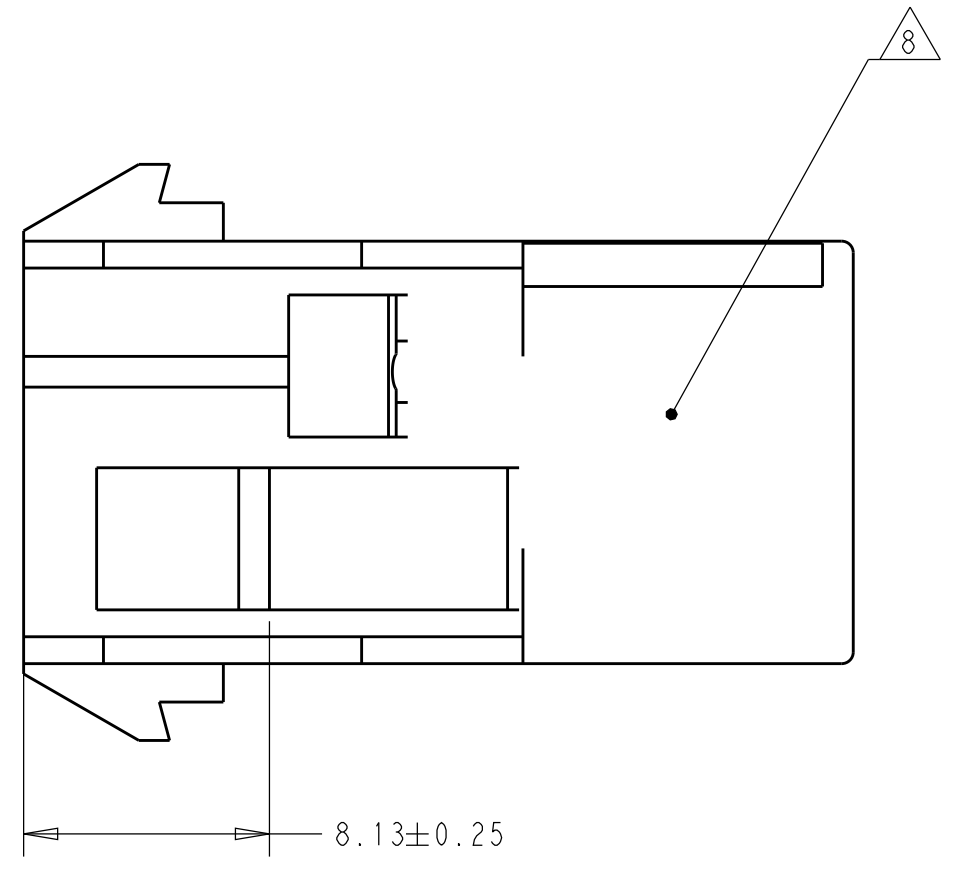
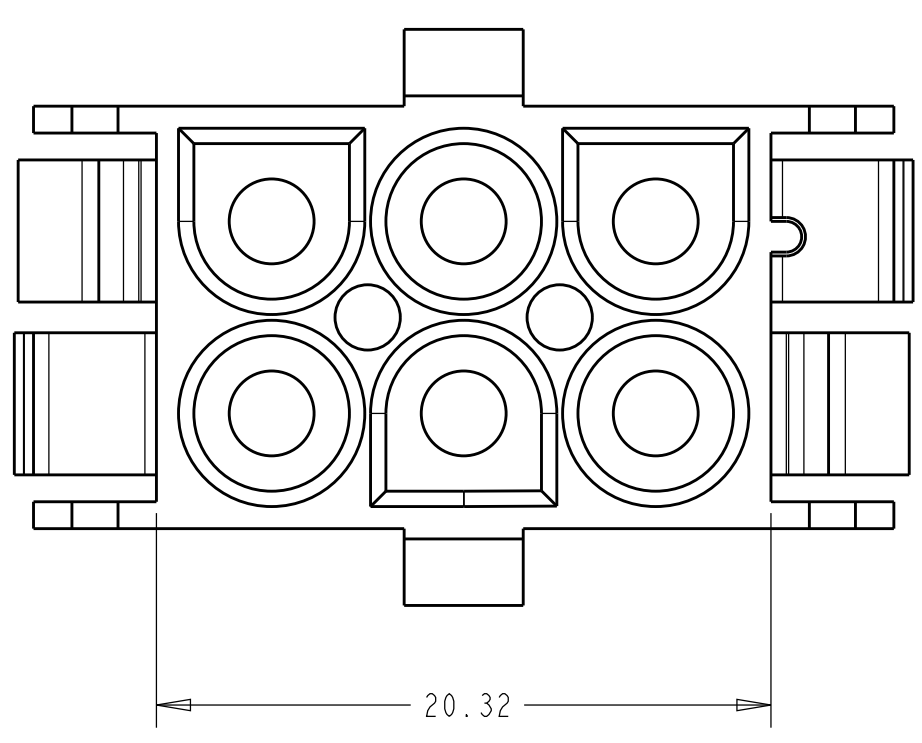
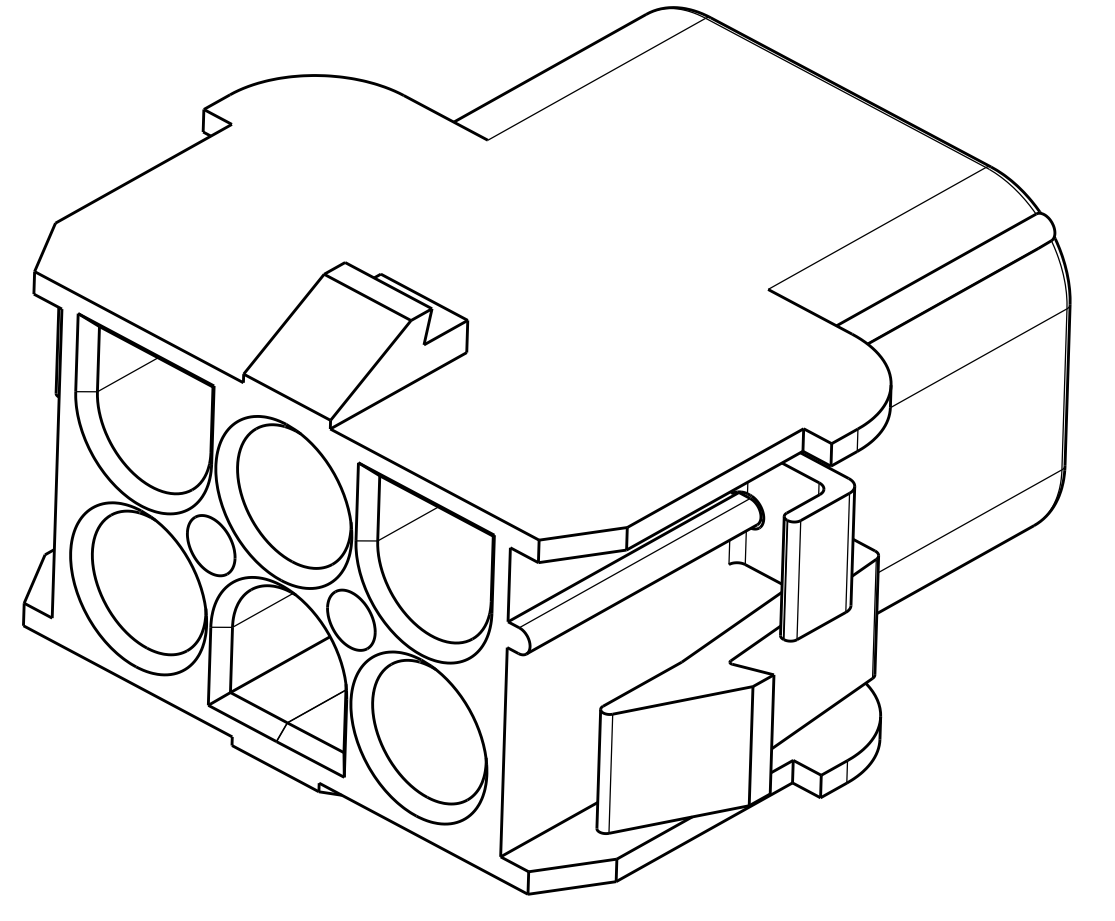
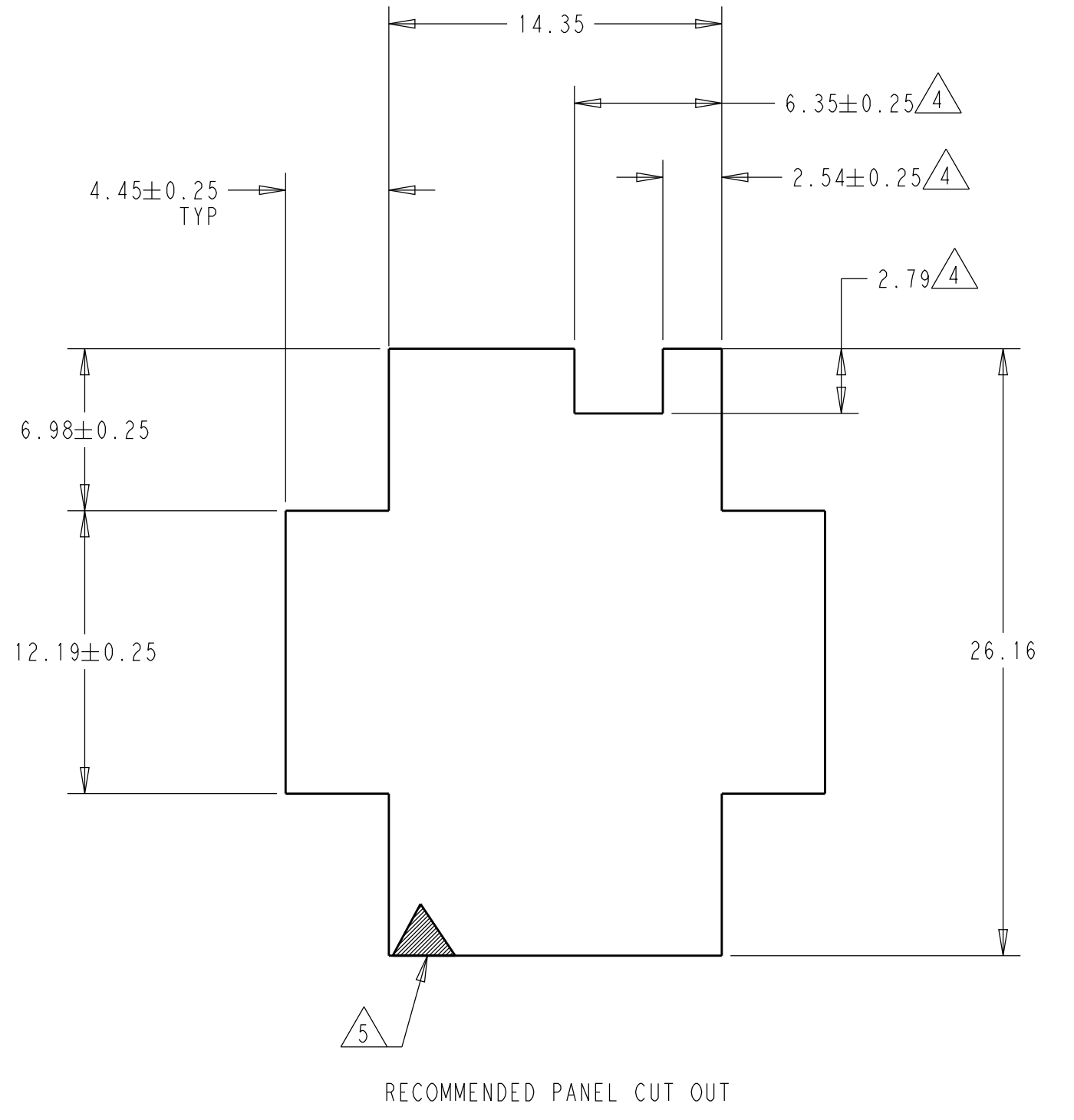
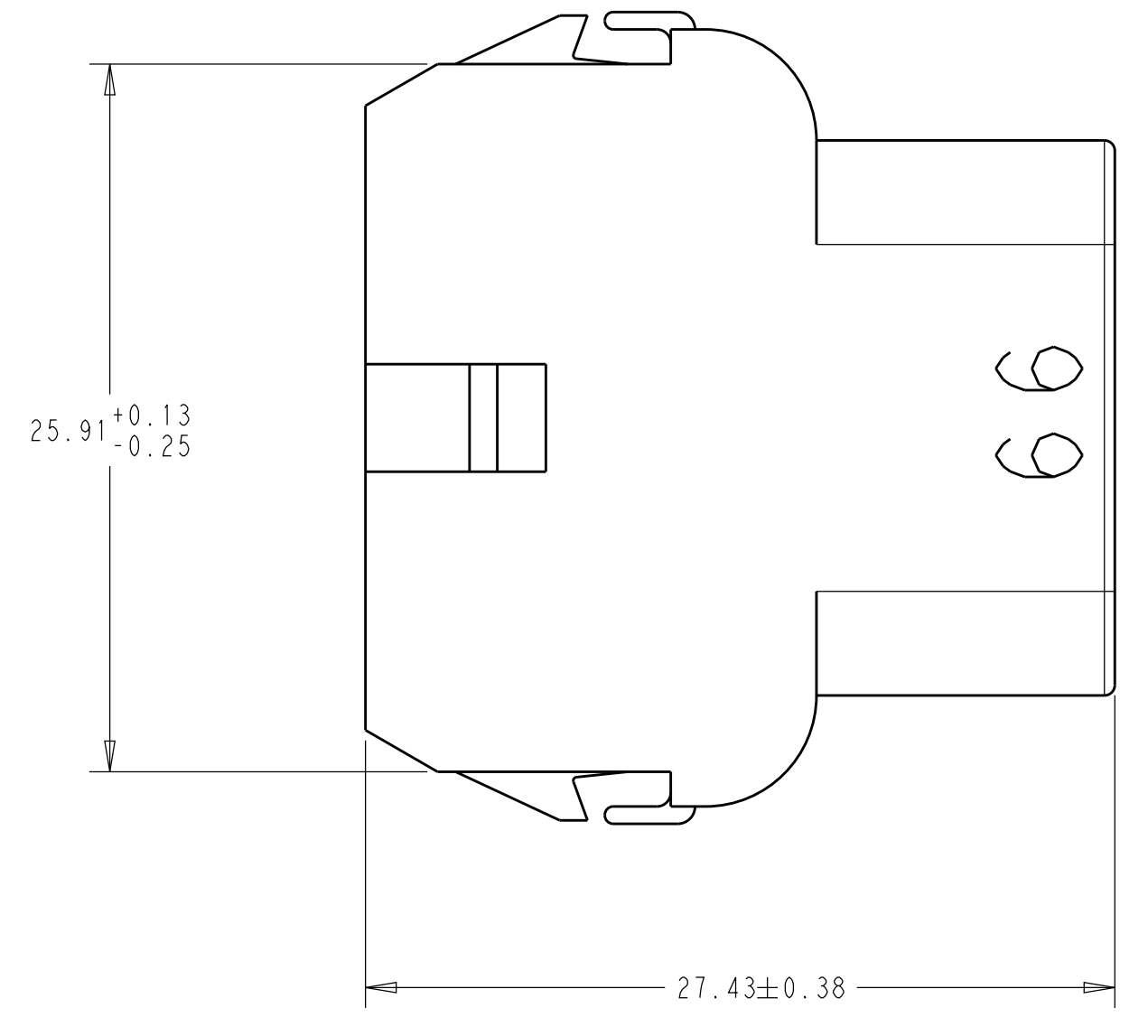
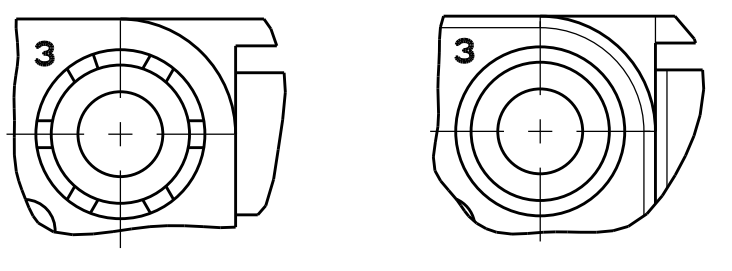


REVISIONS				
#	LTN	DESCRIPTION	DATE	APPV
WS		REDRAWN PER ECO-19-005708	03MAY2019	BKW SF
Y		REVISED PER ECO-20-006810	02JUN2020	BKW SF



1. MATES WITH APPROPRIATE UNIVERSAL MATE-N-LOCK™ PLUG
2. RECOMMENDED PANEL THICKNESS 0.76 - 2.29.
3. PANEL MUST BE PUNCHED SO THAT THE HOUSING ENTERS THE PANEL IN THE SAME DIRECTION AS THE PUNCH.
4. OPTIONAL FOR KEYING HOUSING IN PANEL.
5. CIRCUIT NUMBER 1 LOCATION.
6. DIMENSIONS SHOWN REPRESENT PRODUCT IN DRY, AS MOLDED, CONDITION. ADDITIONAL 2% GROWTH DUE TO SUBSEQUENT MOISTURE ABSORPTION MAY OCCUR AND SHOULD BE ACCOUNTED FOR.
7. FOUR RIBS EQUALLY SPACED, NO SPECIFIC ORIENTATION. NO RIBS OR SIX RIBS EQUALLY SPACED, NO SPECIFIC ORIENTATION, OPTIONAL.
8. UNDERWRITERS RECOGNIZED COMPONENT LOGO AND CSA CERTIFICATION LOGO TO BE LOCATED ONCE EACH ON SIDE OF HOUSING.
9. TRADEMARK LOCATION: AMP OR TE



OBSOLETE	BLACK	1-350781-0
OBSOLETE	GRAY	1-350781-8
OBSOLETE	BLUE	1-350781-6
OBSOLETE	GREEN	1-350781-5
	YELLOW	1-350781-4
OBSOLETE	ORANGE	1-350781-3
	RED	1-350781-2
OBSOLETE	BROWN	1-350781-1
OBSOLETE	RED	350781-2
	NATURAL	350781-1
	COLOR	PART NUMBER

THIS DRAWING IS A CONTROLLED DOCUMENT.

OWN: B. WEAVER	03MAY2019		NAME: CAP, 6 CIRCUIT, UNIVERSAL MATE-N-LOCK PRODUCT SPEC: - APPLICATION SPEC: -
CHK: S. FERNANDES	03MAY2019		
APPV: T. BENCHOFF	03MAY2019		
APPROVED:			
DIMENSIONS:	TOLERANCES UNLESS OTHERWISE SPECIFIED:	SIZE: A	RESTRICTED TO:
mm	0 PLC ±	SCALE: 4:1	SHEET 1 OF 1
	2 PLC ±0.13	REV: Y	
	3 PLC ±		
	4 PLC ±		
	ANGLES ±1°		
MATERIAL: NYLON	FINISH: -	WEIGHT: -	
UL 94V-0		CUSTOMER DRAWING	