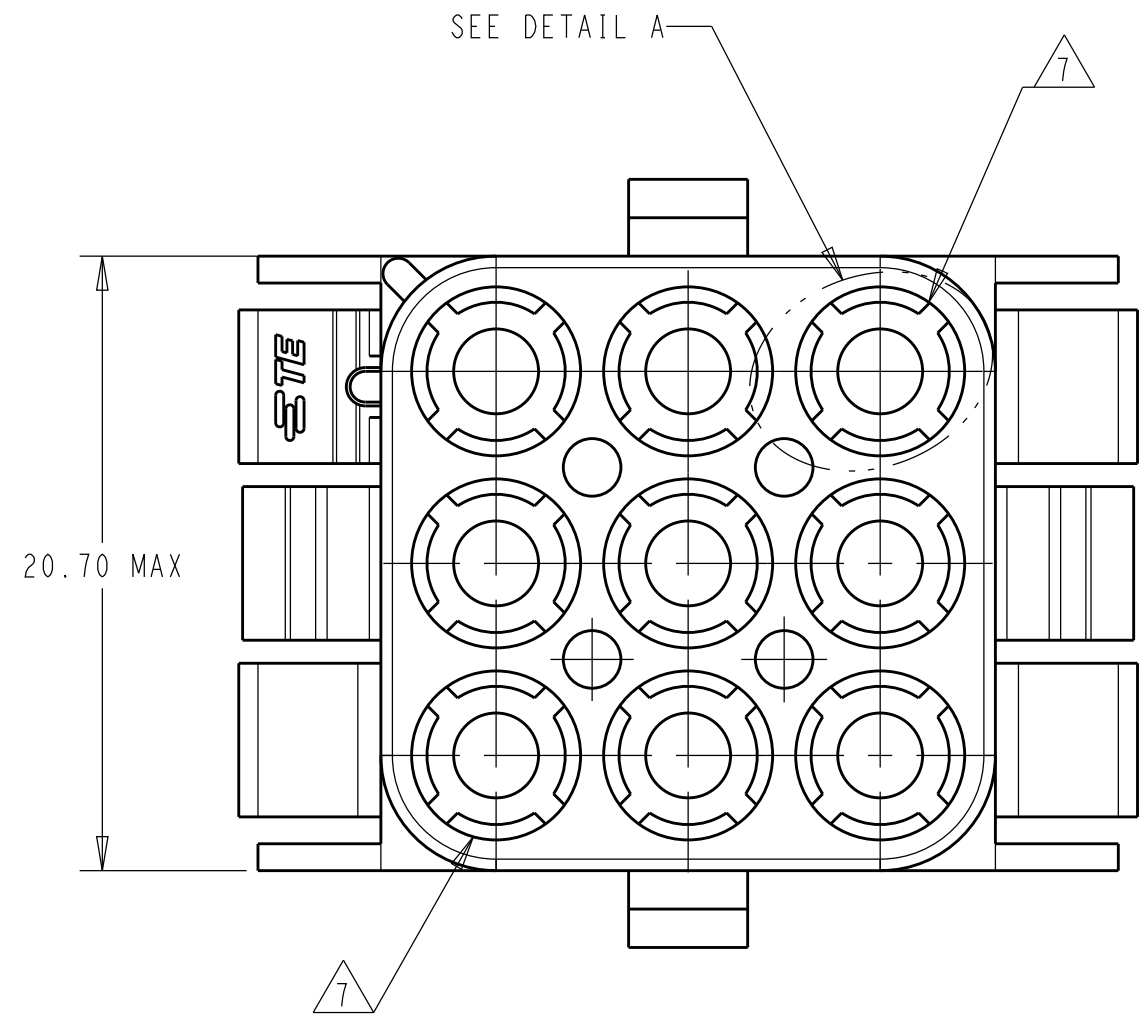
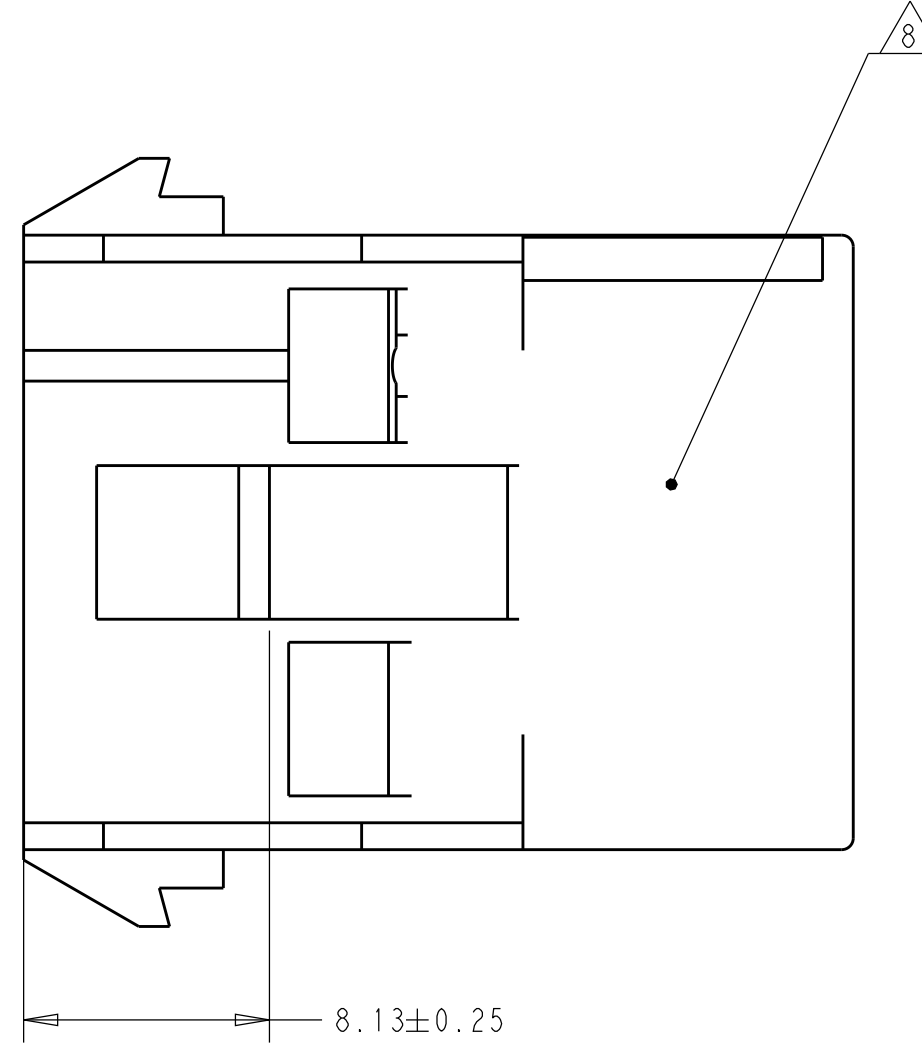
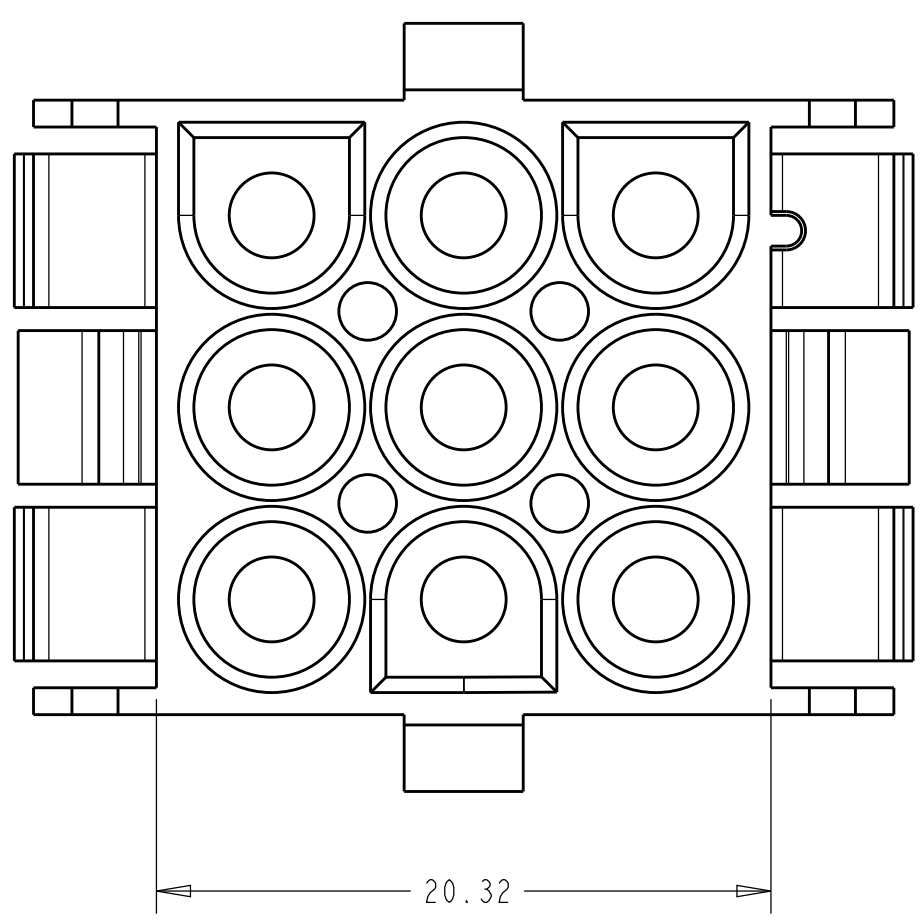
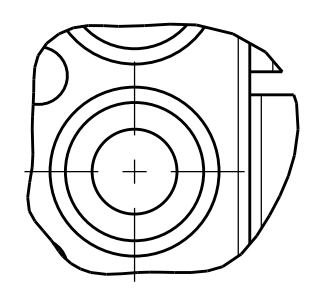
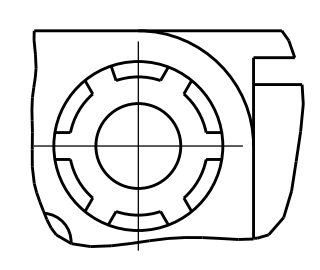


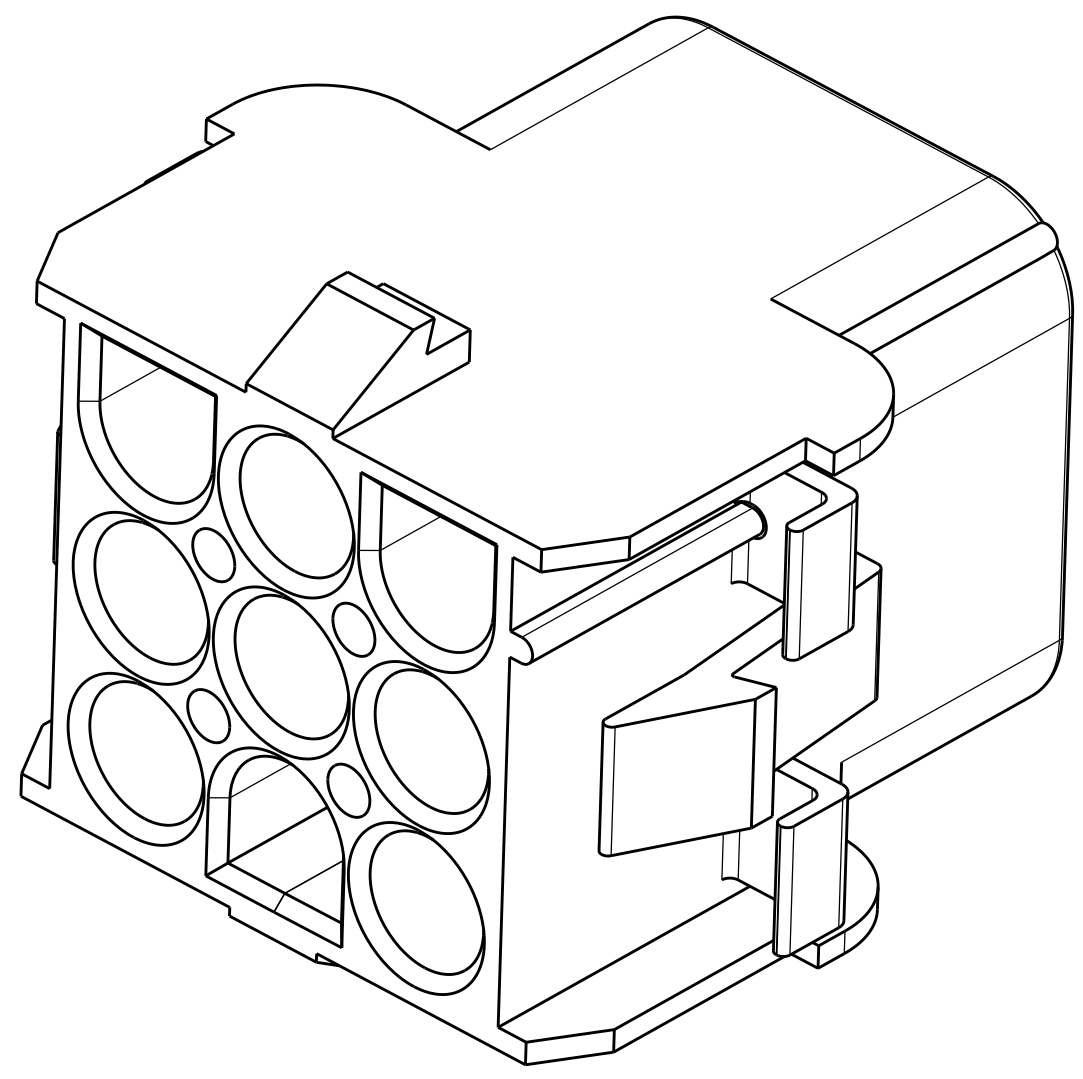
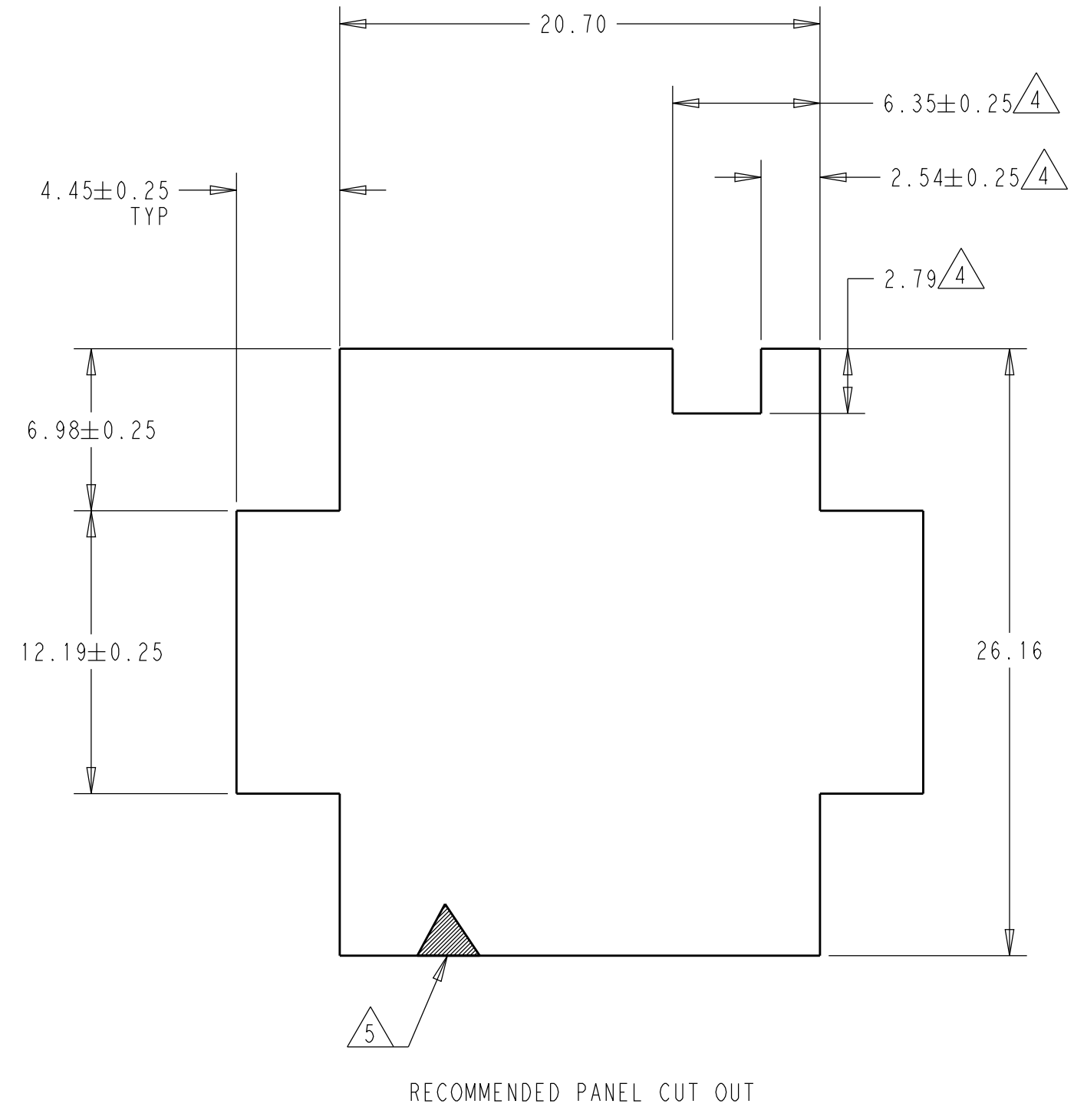
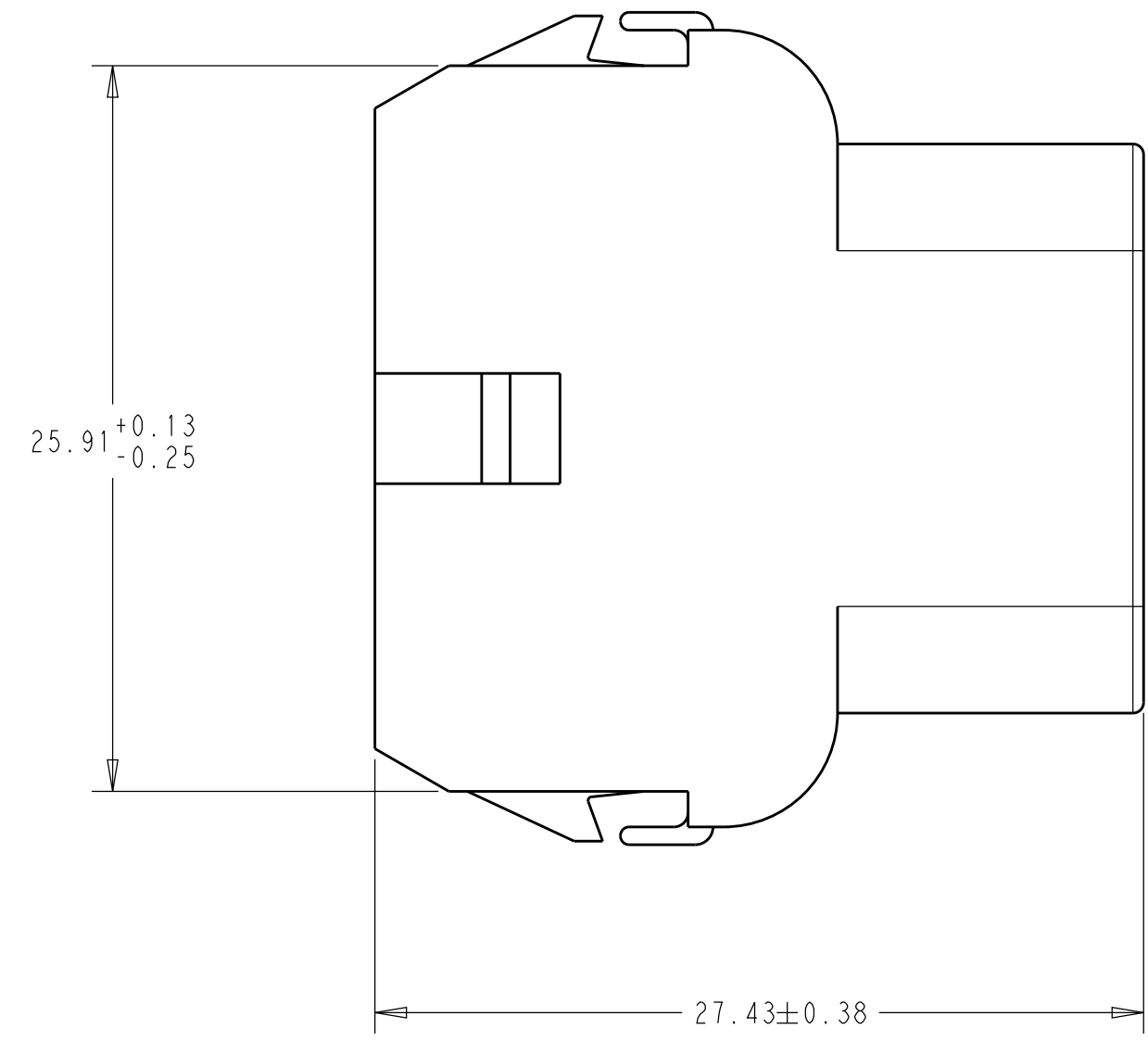
REVISIONS				
P	LTH	DESCRIPTION	DATE	APPV
W		REVISED PER ECO-20-006810	02JUN2020	BKW SF



1. MATES WITH APPROPRIATE UNIVERSAL MATE-N-LOCK™ PLUG
2. RECOMMENDED PANEL THICKNESS 0.76 - 2.29.
3. PANEL MUST BE PUNCHED SO THAT THE HOUSING ENTERS THE PANEL IN THE SAME DIRECTION AS THE PUNCH.
4. OPTIONAL FOR KEYING HOUSING IN PANEL.
5. CIRCUIT NUMBER 1 LOCATION.
6. DIMENSIONS SHOWN REPRESENT PRODUCT IN DRY, AS MOLDED, CONDITION. ADDITIONAL 2% GROWTH DUE TO SUBSEQUENT MOISTURE ABSORPTION MAY OCCUR AND SHOULD BE ACCOUNTED FOR.
7. FOUR RIBS EQUALLY SPACED, NO SPECIFIC ORIENTATION. NO RIBS OR SIX RIBS EQUALLY SPACED, NO SPECIFIC ORIENTATION, OPTIONAL.
8. UNDERWRITERS RECOGNIZED COMPONENT LOGO AND CSA CERTIFICATION LOGO TO BE LOCATED ONCE EACH ON SIDE OF HOUSING.



DETAIL A
OPTIONAL CONSTRUCTIONS



	BLACK	1-350782-9
OBSOLETE	GRAY	1-350782-8
OBSOLETE	BLUE	1-350782-6
OBSOLETE	GREEN	1-350782-5
OBSOLETE	YELLOW	1-350782-4
OBSOLETE	ORANGE	1-350782-3
OBSOLETE	RED	1-350782-2
OBSOLETE	BROWN	1-350782-1
	NATURAL	350782-1
	COLOR	PART NUMBER

THIS DRAWING IS A CONTROLLED DOCUMENT.

OWN	B. WEAVER	02JUN2020
CHK	S. FERNANDES	02JUN2020
APPV	V. SETTAR	02JUN2020

TE TE Connectivity

NAME: CAP, 9 CIRCUIT, UNIVERSAL MATE-N-LOCK

PRODUCT SPEC: 108-1031

APPLICATION SPEC: 114-1010

MATERIAL: NYLON UL 94V-0

FINISH: -

WEIGHT: -

CUSTOMER DRAWING

SIZE: A | 00779 | 350782

SCALE: 4:1 | SHEET: 1 OF 1 | REV: W