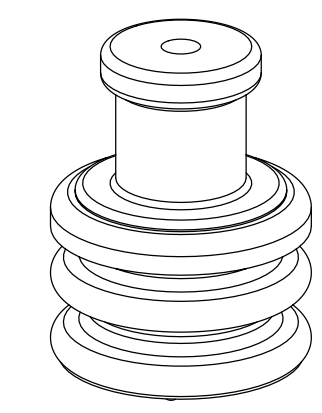
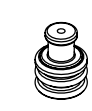
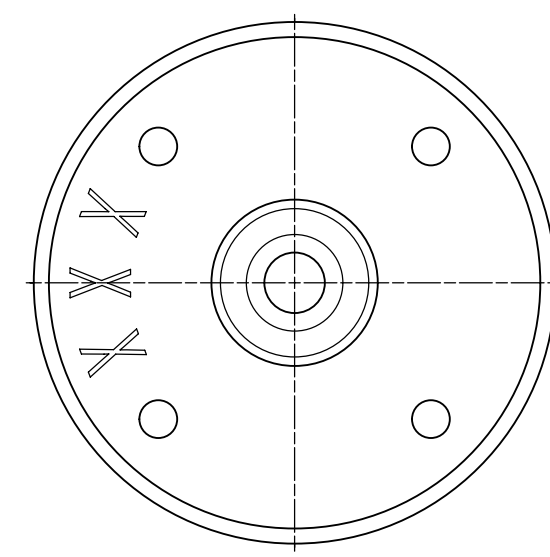
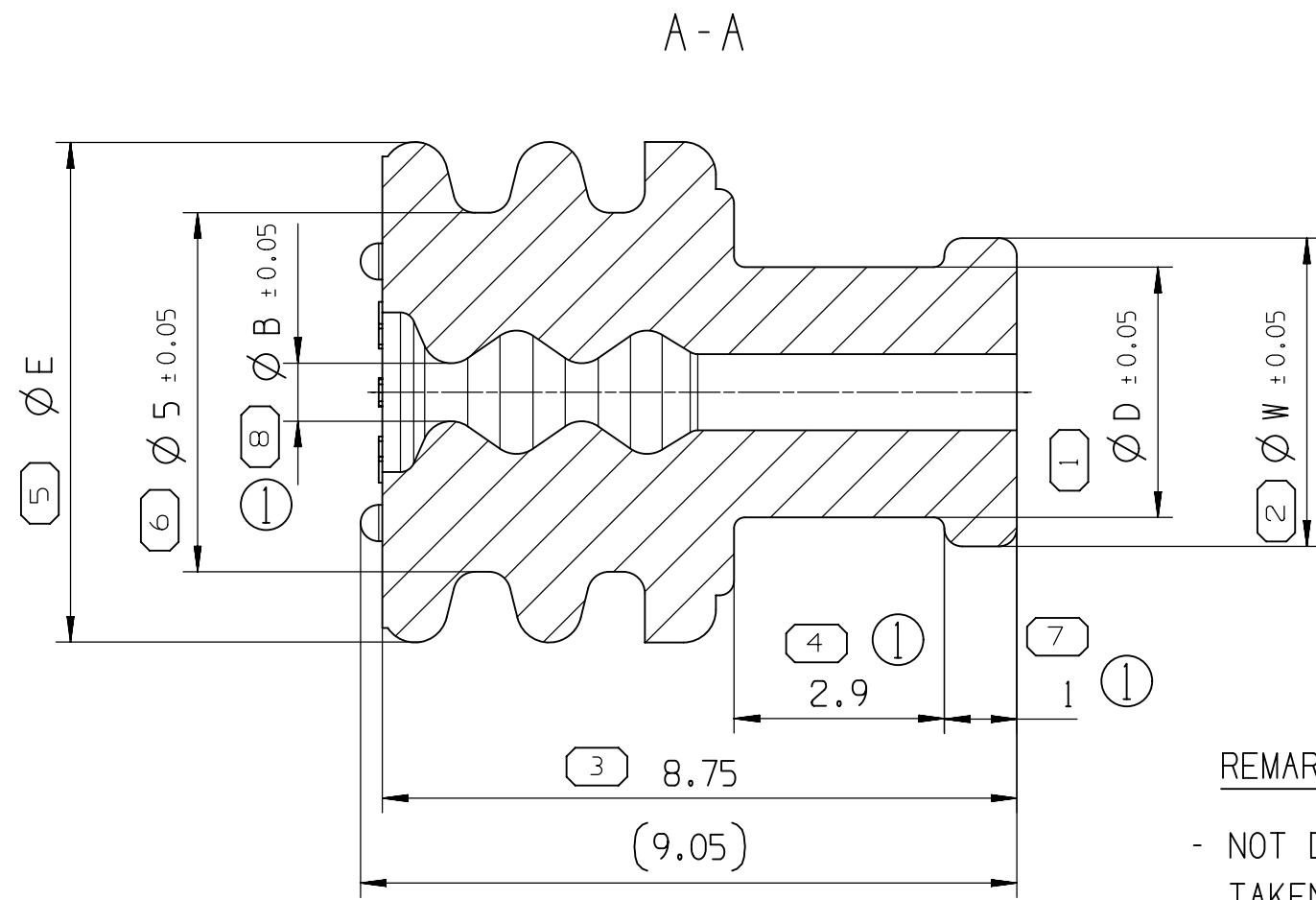
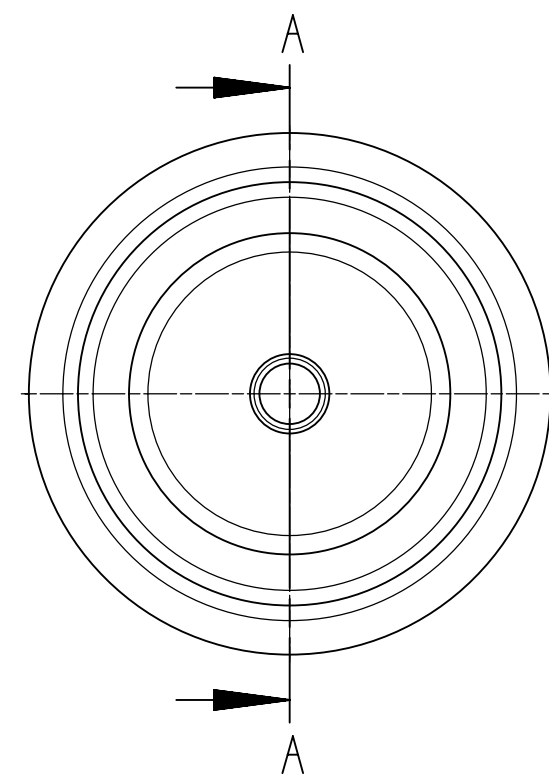


PART-NO.:	PART-REV	DATE DATUM	CABLE Ø KABEL Ø	MATERIAL WERKSTOFF	SIM RAL	B	D	E	W	(GR)	(CM³)
13834633	01	01JL10	1.2 - 1.9 MM	LSR 50 SHORE 2% GRN	6010	0.8	3.45	6.9	4.25	0.195	0.173
13834634	01	01JL10	1.8 - 2.4 MM	LSR 50 SHORE 2% YEL	1007	1.35	3.85	6.9	4.65	0.188	0.166
13834635	01	01JL10	2.1 - 3.0 MM	LSR 50 SHORE 2% WHT	9010	1.65	4.35	6.9	5.15	0.187	0.165
① 35545727	01	13MR21	1.8 - 2.4 MM	LSR 50 SHORE 2% BLU	5010	1.35	3.45	6.9	4.25	0.173	0.158
① 35545726	01	13MR21	2.1 - 3.0 MM	LSR 50 SHORE 2% GRA	7000	1.65	3.45	6.9	4.25	0.158	0.144

DWG STATUS				ZONE	REVISION HISTORY	AUTH	DR	APVD 1	APVD 2
DATE	STG	REV	N/P						
01JL10	R	01			INITIAL RELEASE / ERSTFREIGABE		A.SEN	J.SCH	M.SKR
18MR11		01	AA	A8	INFORMATION ABOUT VALIDATION ADDED INFORMATION UEBER VALIDATION HINZU		V.KAS	M.HOR	SYS
27JU16	R	01	AB	F5	CABLE Ø/KABEL Ø 1.8-2.4 WAS/WAR 1.8-2.3		P.MAY	K.STO	SYS
04MY21	R	01	AC	F6 D6/D5 F4	NEW PN 35545727 & 35545726 ADDED DIM4.6 REMOVED & DIM2.9, DIM1.0 & DIM ØB ADDED B VALUE ADDED TO TABLE		R.SUR	K.PAT	T.BOL



SCALE / MASSSTAB:
1 : 1

SCALE / MASSSTAB:
5 : 1

VALIDATION BASED ON GTS

- PRESSURE LEAK TEST BASED ON THERMAL AGE AND SHOCK 0.5 BAR/30'
- THERMAL AGIN 300h 150°
- THERMAL SHOCK 300 CYCLES

VALIDATION ANGELEHNT AN GTS

- WASSERDRUCK-DICHTIGKEITS-TEST ANGELEHNT AN THERMISCHER ALTERUNG UND SCHOCK 0.5 BAR/30'
- THERMISCHE ALTERUNG 300h 150°
- THERMISCHER SCHOCK 300 ZYKLEN

REMARKS:

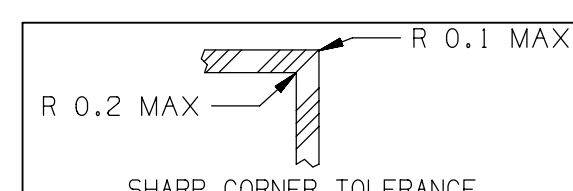
- NOT DIMENSIONED GEOMETRY HAS TO BE TAKEN FROM THE CORRESPONDING 3D DATA-FILE
- MAXIMUM DRAFT ANGLE 0° 30'
- MATERIAL SPECIFICATION: SILICON, AUTOLUBRICATION 50 SHORE 2% OIL
- SEALING AREA - RIBS MUST BE FREE OF FLASH, WITHOUT PARTING LINES, CUTS, SINKS, VOIDS AND KNIT.

BEMERKUNGEN:

- NICHT BEMASSTE GEOMETRIEN SIND DEN ENTSPRECHENDEN 3D DATENFILE ZU ENTNEHMEN
- ZULAESSIGE ENTFORMUNGSSCHRAEGE MAX. 0° 30'
- WERKSTOFF: SILIKON, SELBSTSCHMIEREND 50 SHORE 2% OEL
- DICHTFLAECHE - RIPPEN MUESSEN GRATFREI, OHNE TRENNLINIEN, EINFALL, LUECKEN SCHNITTE UND KERBEN SEIN.

KEY PRODUCT CHARACTERISTICS

⊕ SAFETY/COMPLIANCE	◇ FIT/FUNCTION	TOTAL ON DRAWING	0
⊕ S/C CHECKPOINTS	◇ F/F CHECKPOINTS	LAST NO. USED	0
NO & TYPE	DESCRIPTION	RATIONALE	PTS
			ZONE



DIM TO CHECK	FROM	> 3	> 6	> 10
○ DIM TO CHECK PRUEFMASSE	0	3	6	10
() DIM FOR HELP HILFSMASSE	3	6	10	18
□ THEORETIC DIM THEORE. MASSE	± 0.1 ± 0.2 ± 0.3 ± 0.4			
ANGULAR TOLERANCE ± 2°				

DWG TYP PART DRAWING	
WEIGHT (GR) SEE CHART	DISTR CODE
VOLUME (CM³) SIEHE TABELLE	D
ROUTING	

UNLESS OTHERWISE SPECIFIED

GENERAL TOLERANCES ACCORDING TO:
SEE CHART SIEHE TABELLE

GD&T ACCORDING TO:
ISO 1101

REFERENCE

FIRST ANGLE PROJECTION

DO NOT SCALE
USE MATH DATA

CAD NX

• APTIV •
DELPHI DEUTSCHLAND GMBH
D-42119 WUPPERTAL

COPYRIGHT 2010 DELPHI CORPORATION AND/OR ITS AFFILIATES. ALL RIGHTS RESERVED.
REVISED 2016

THIS DRAWING IS THE PROPERTY OF DELPHI CORPORATION AND CONTAINS DELPHI CONFIDENTIAL INFORMATION. THE REPRODUCTION, DISTRIBUTION AND UTILIZATION OF THIS DOCUMENT OR ITS RELATED CAD MATH DATA, AS WELL AS COMMUNICATION OF ANY CONTENT TO OTHERS, WITHOUT EXPRESS AUTHORIZATION, IS PROHIBITED.

DIESE ZEICHNUNG IST EIGENTUM DER FIRMA DELPHI UND ENTHAELT DELPHI VERTRAEULICHE INFORMATIONEN. DIE REPRODUKTION, VERTEILUNG UND NUTZUNG DIESES DOKUMENTES ODER DEREN ZUGEHORIGEN CAD DATEN, ODER AUCH ALS KOMMUNIKATION VON BELIEBIGEN INHALT ZU ANDEREN, IST OHNE BERECHTIGUNGSPRUEFUNG DURCH DIE DELPHI CORPORATION UNZULAESSIG.

DR	A.SENEL	DATE	30JN10
APVD1	J.SCHATTLING		01JL10
APVD2	M.SIKORA		16SE10
APVD3			
APVD4			
APVD5			

SUBSTANCES OF CONCERN AND RECYCLED CONTENT PER APTIV 10949001
POTENTIELL GEFAEHRLICHE STOFFE UND REZYKLATANTEIL
GEMAESS DELPHI 10949001

MATERIAL
SEE CHART/SIEHE TABELLE

DRAWING NAME
SINGLE WIRE SEAL
EINZELDRAHTDICHTUNG

DRAWING NUMBER
13834636

SIZE	SCALE	FRAME NO	SHEET NO	STG	REV	N/P
A2	10:1	1 OF 1	1 OF 1	R	01	AC

• APTIV •
D - 42119 WUPPERTAL

CONTROLLED DOCUMENTS ARE ONLY AVAILABLE ON THE SERVER
User: mzygumz Part: 13834636-CUS51-S01/01AC Date: 04-May-21 Time: 16:16:35