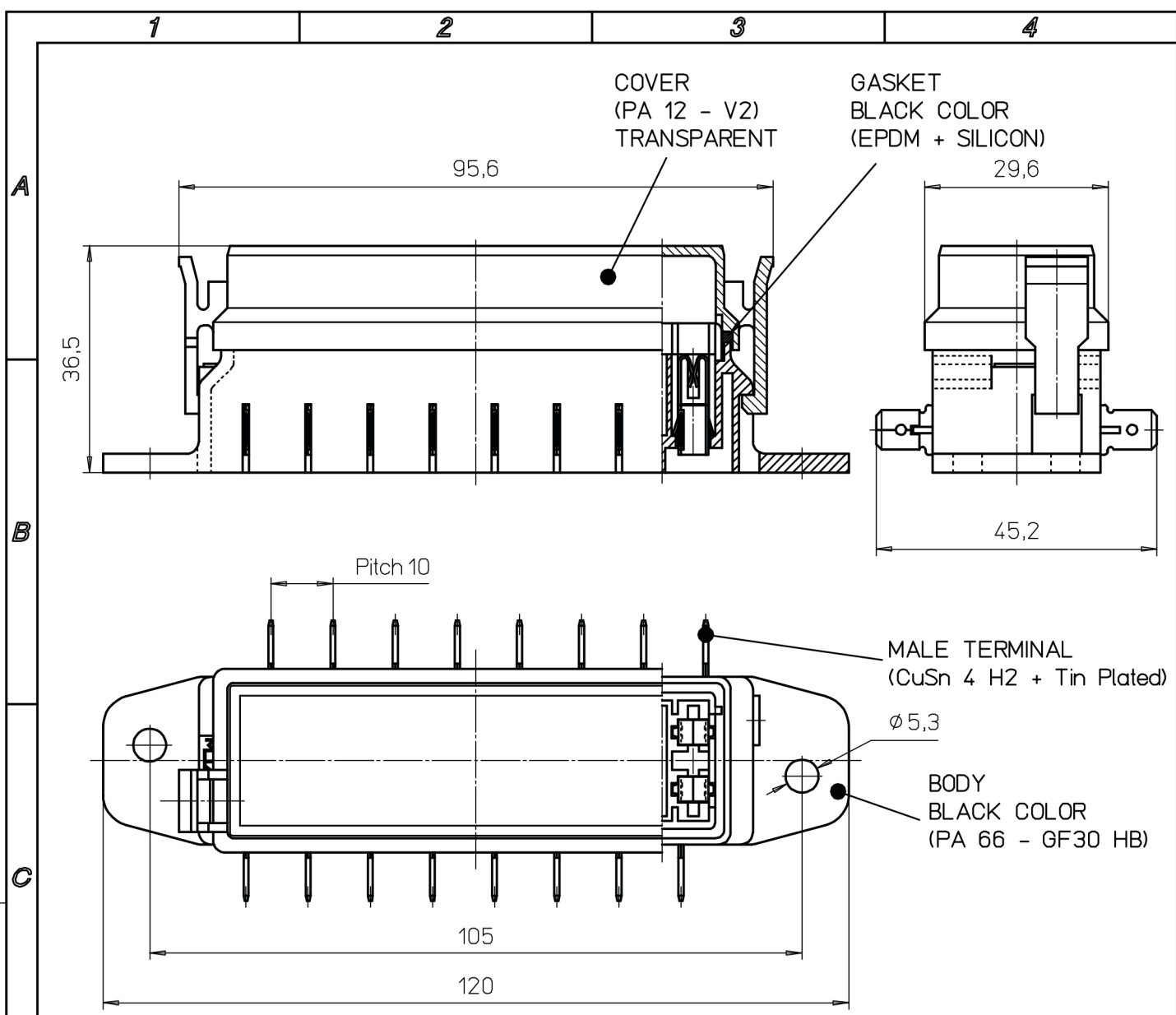


All proprietary rights reserved by MECCANOTECNICA CODOGNESE Sp.A. - This drawing shall not be reproduced, or in any way utilized, for the manufacture of the component or unit herein illustrated and must not be released to other parties, without written consent. Any infringement will be legally pursued.



UNCONTROLLED COPY
in case of drawing updating/revision
NO AUTOMATIC
resubmission will follow

OPERATING FEATURES		
FEATURE	UNIT	VALUE
<i>V max</i>	V	32
<i>T. min - T. max</i>	°C	-30 / +100
<i>* I Continuous</i>	A	RECOMMENDED 135A TOT; 20A/WAY
<i>IP</i>	IEC 529	23

***APPLICATION WITH CURRENT HIGHER THAN THE INDICATED ONE, HAVE TO BE VERIFIED AND AUDITED ONE BY ONE**



MTA P/N 01.00590

Denom. FUSE BOX UNIVAL SIDE 8WAY

Draw No. B0-002.021A

Used for

Rel. Level APPROVED

Draw for CLIENT

Family FUSE HOLDERS MULTIWAY

Date	Name
Draft. 06/11/1989	M. CORBANI
Chk 06/11/1989	M. CORBANI
PQApp 30/11/2004	R.GONZALEZ
App. 30/11/2004	M. CORBANI

Scale 1:1 Weight(g) Lin.Tol.± 0.5 Ang.Tol.±

Material	SEE DRAWING	Thick.	Width
----------	-------------	--------	-------

Sheet 1/1

Dimensions in (mm)

Coating	SEE DRAWING
Color	SEE DRAWING

5	OPERATING FEATURES UPDATED
---	----------------------------

No.	Reason for Revision	Date	19/10/2004	Name	A. CAPELLI
-----	---------------------	------	------------	------	------------