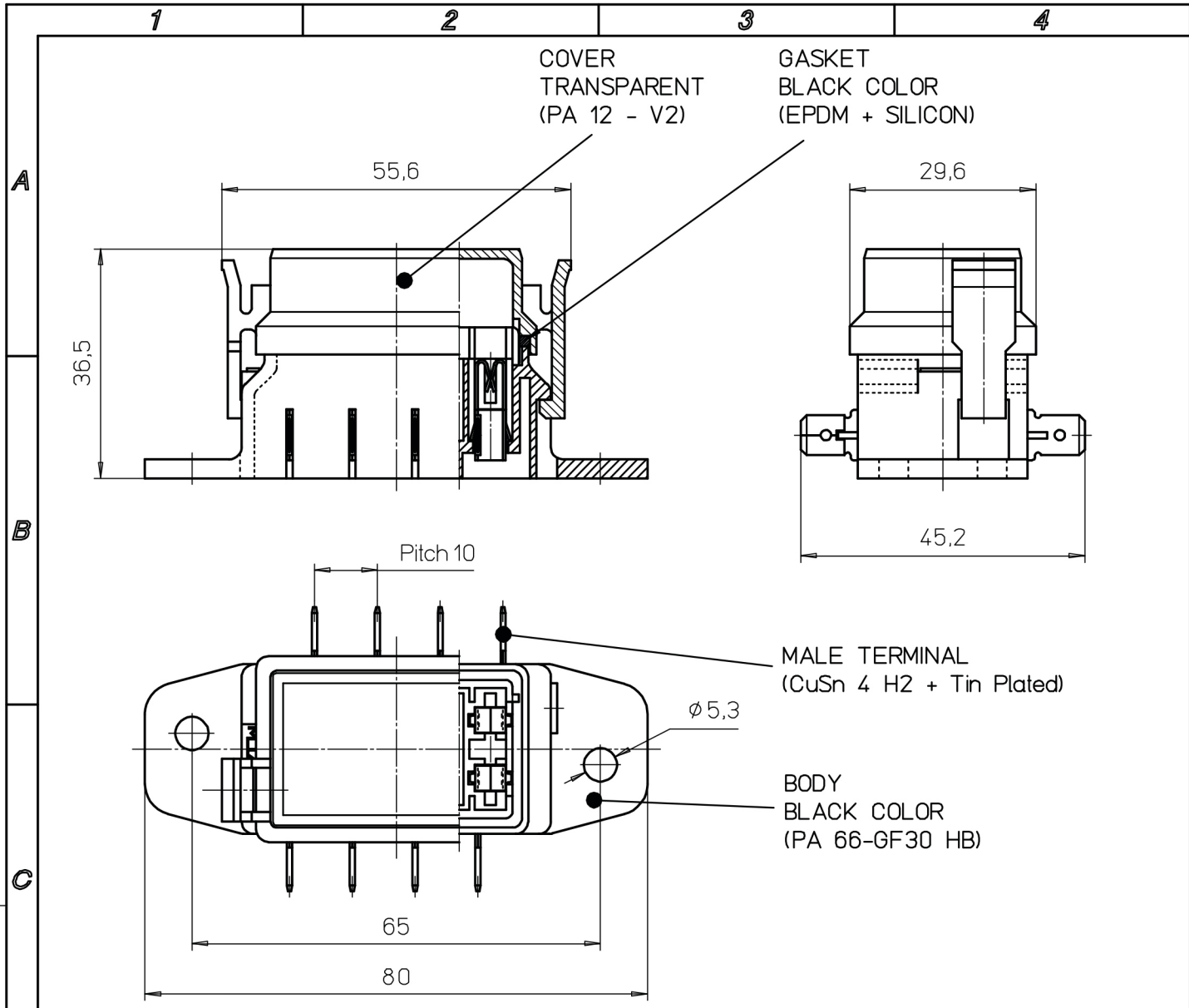


All proprietary rights reserved by MECCANOTECNICA CODOGNESE S.p.A. - This drawing shall not be reproduced, or in any way utilized, for the manufacture of the component or unit herein illustrated and must not be released to other parties, without written consent. Any infringement will be legally pursued.



*APPLICATION WITH CURRENT HIGHER THAN THE INDICATED ONE, HAVE TO BE VERIFIED AND AUDITED ONE BY ONE

OPERATING FEATURES		
FEATURE	UNIT	VALUE
V_{max}	V	32
$T_{min} - T_{max}$	°C	-30 / +100
* I Continuous	A	RECOMMENDED 80A TOT; 20A/WAY
IP	IEC 529	23



MTA P/N		01.00610		Denom. FUSE BOX UNIVAL SIDE 4WAY									
Draw No.		B0-002.023A		Used for									
Rel. Level		APPROVED		Draw for		CLIENT		Family FUSE HOLDERS		MULTIWAY			
Date		Name		Scale		Weight(g)		Lin.Tol.±		Ang.Tol.±		Thick.	Width
Draft	04/11/1989	M.CORBANI	1:1	0.5									
Chk	04/11/1989	M.CORBANI											
PQApp	30/11/2004	R.GONZALEZ											
App.	30/11/2004	M.CORBANI	A4		Dimensions in (mm)	Sheet	1/1						
4	OPERATING FEATURES UPDATED												
No.	Reason for Revision					Date		20/10/2004		Name		A. CAPELLI	