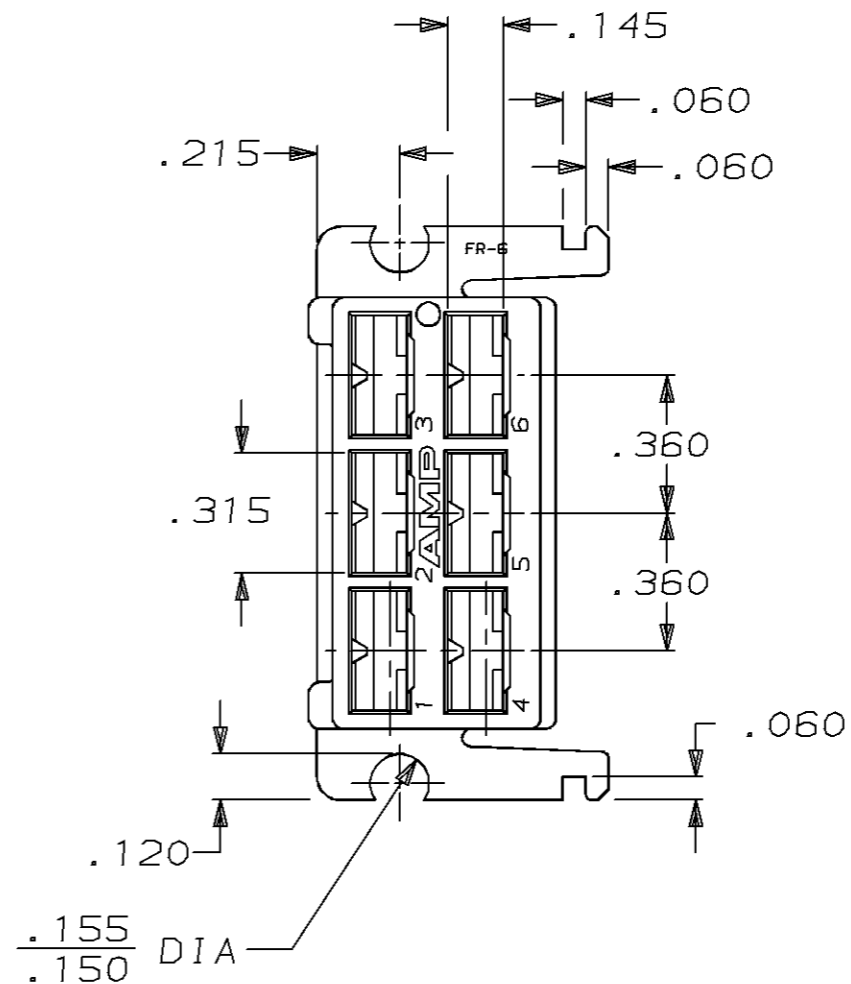
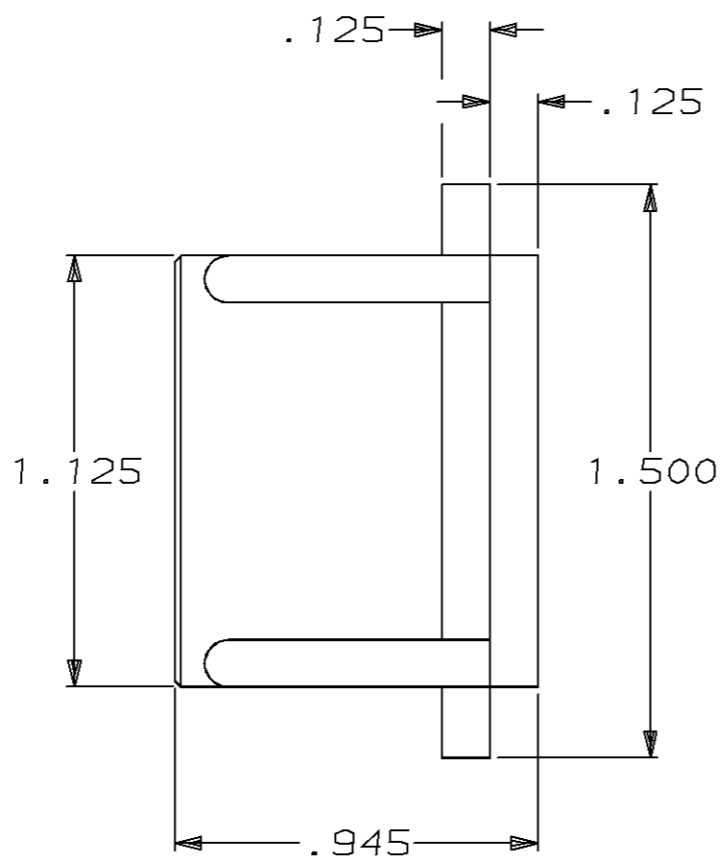
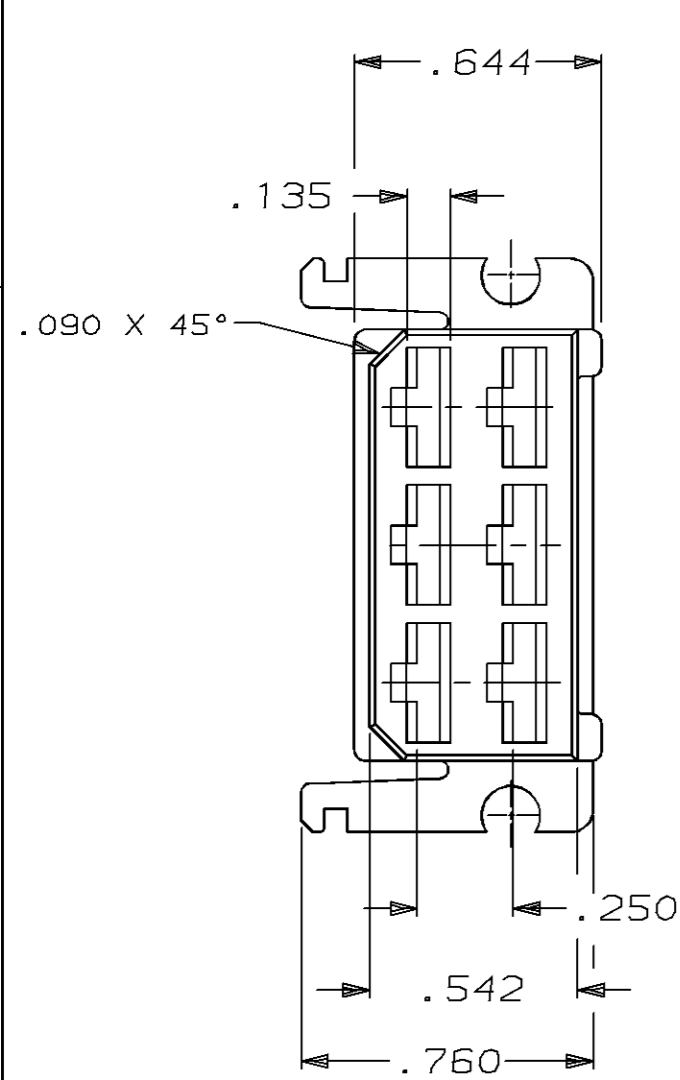


THIS DRAWING IS UNPUBLISHED. RELEASED FOR PUBLICATION, 19 .
 © COPYRIGHT 19 BY AMP INCORPORATED. ALL INTERNATIONAL RIGHTS RESERVED.

LOC AF	DIST 50	P	F	REVISIONS				
				ZONE	LTR	DESCRIPTION	DATE	APPD
					AB	REV PER 0L10-0069-96	8/30/96	JR/RB



- 1 HOUSING USED WITH TAB HOUSING 480004.
- 2 PART NUMBER 480003-5 WAS 480186-3.
- 3 FOR MOUNTING DIMENSIONS REFER TO APPLICATION SPEC 114-2025.

	NATURAL	6/6 NYLON	△ 480003-5
	COLOR	MATERIAL	PART NO
DO NOT SCALE PRINT. UNLESS SPECIFIED DIMENSIONS ARE IN INCHES TOLERANCES ON: 2 PLC DEC ± - 3 PLC DEC ± .015 ANGLES ± -	DR 2/5/91 JR RUTH CHK 2/5/91 P FORTNEY APPD 2/5/91 C MEYERS APPD 2/5/91 D REINER PRODUCT SPEC -	AMP AMP Incorporated Harrisburg, PA 17105-3608	
MATERIAL SEE TABLE		NAME HOUSING, RECEPTACLE, FASTIN-FASTON, .250 SERIES	
FINISH SEE TABLE	APPLICATION SPEC 114-2025 WEIGHT -	SIZE B	CAGE CODE 00779 DRAWING NO 480003
		SCALE 2:1	SHEET 1 OF 1