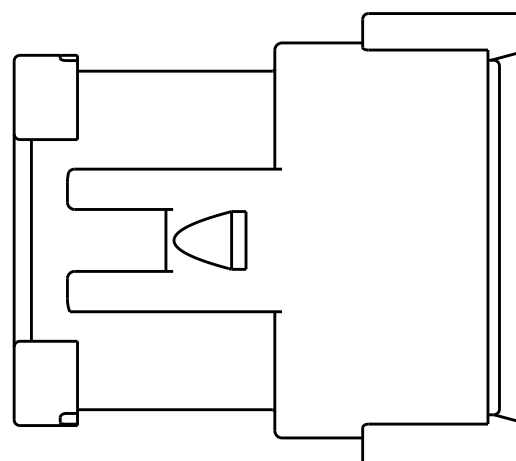
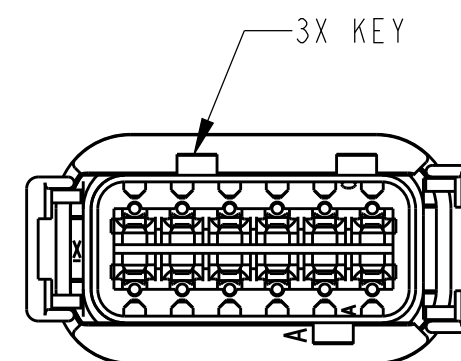
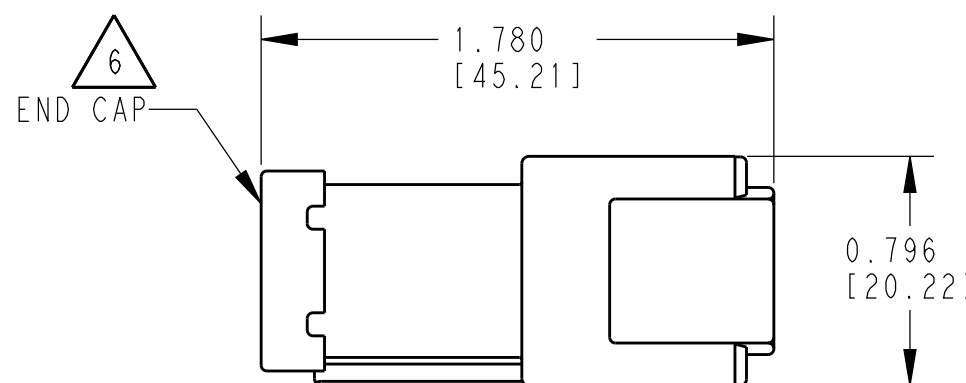
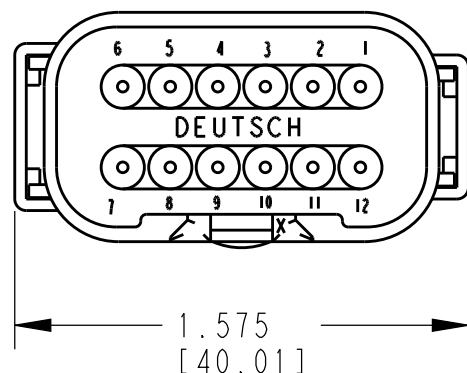
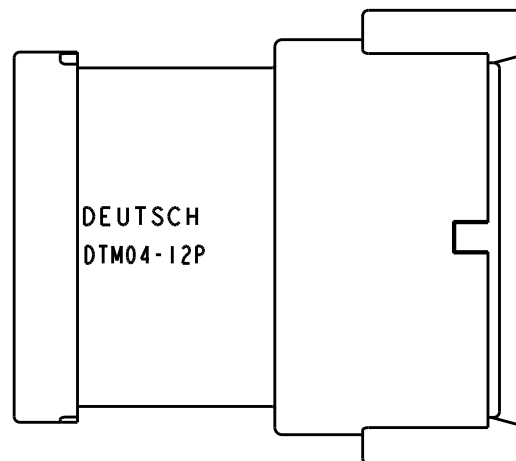
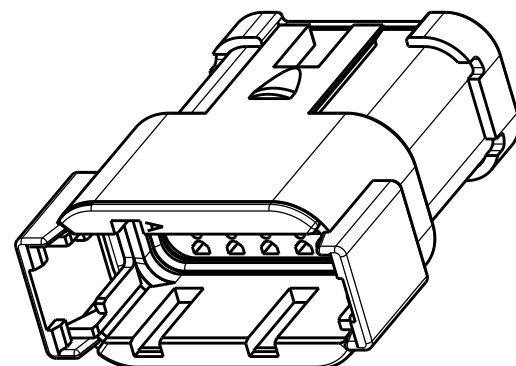


LOC	DIST	REVISIONS			
P	LTR	DESCRIPTION	DATE	DWN	APVD
	NC	NEW RELEASE PER E.O. P17175	16MAR2001		RDR
	A	REVISED PER E.O. P20692	14JUL2011	SZ	RDR
	A1	REVISED PE ECO-15-000132	05JAN2015	JA	DM



TE INTERNAL PN	DEUTSCH PN
DTM04-12PA-E003	DTM04-12PA-E003
DTM04-12PB-E003	DTM04-12PB-E003
DTM04-12PC-E003	DTM04-12PC-E003
DTM04-12PD-E003	DTM04-12PD-E003

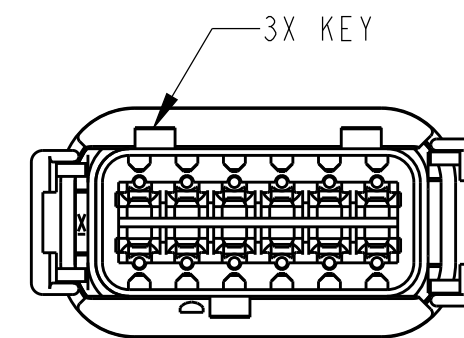
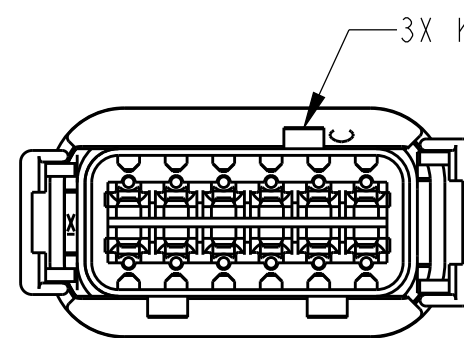
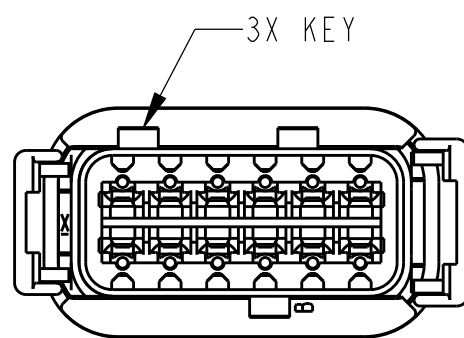
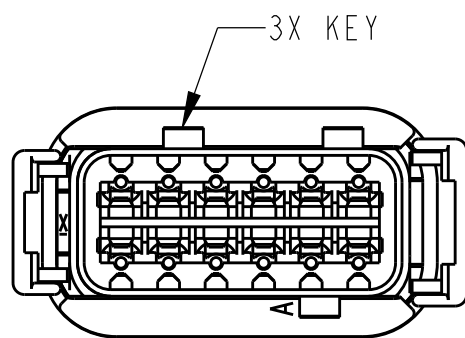
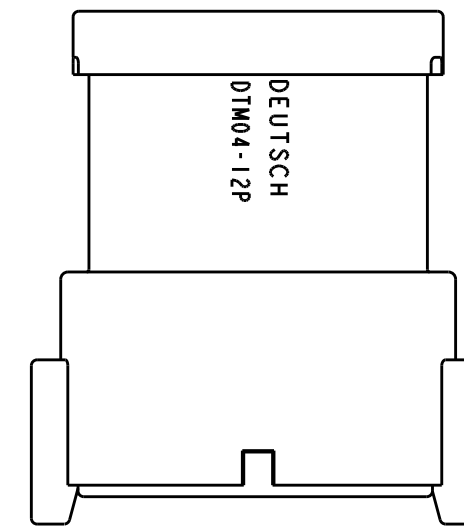
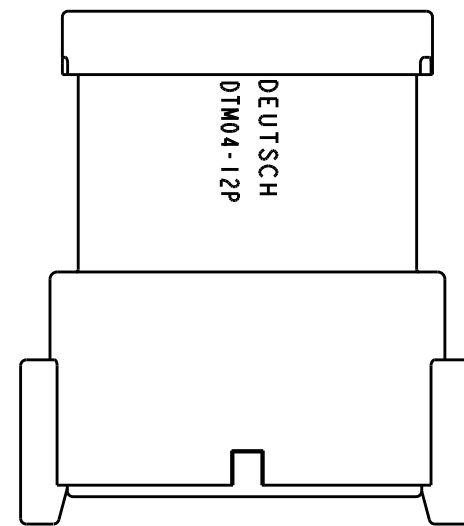
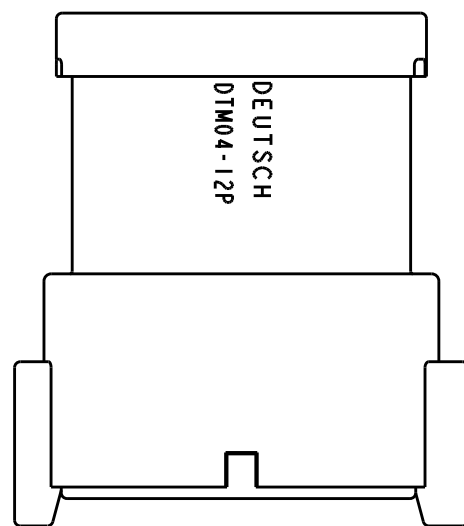
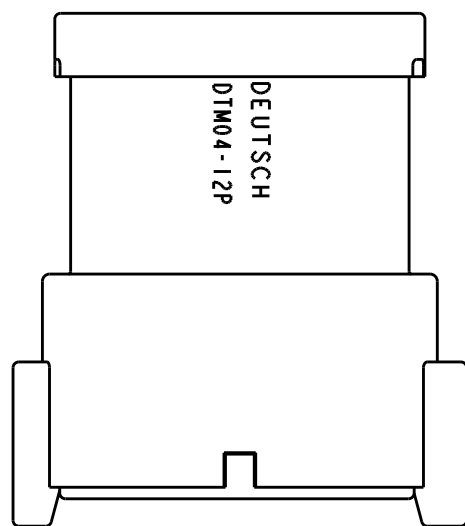
CONTACT SIZE	MIN. INSUL. O.D.	MAX. INSUL. O.D.	WIRE RANGE [mm ²] REF ONLY
20	.053 [1.35]	.120 [3.05]	16-20 AWG [1.0-0.5]

- △ 6 PART MODIFICATION.
- 5. SEE SHEET 2 FOR OTHER KEY ARRANGEMENTS.
- △ 4 MATERIAL - HOUSING/END CAP: NYLON 6/6 15% GF; GROMMET: SILICONE.
- 3. THIS RECEPTACLE MATES WITH DTM06-12SX-XXXX PLUG. (X = A,B,C,D KEYS; XXXX = ALL MODIFICATIONS)
- △ 2 FOR CONTACT AND WIRE PERFORMANCE AND APPLICATION CHARACTERISTICS SEE ENVELOPE DRAWING 0425-015-0000.
- 1. SECONDARY WEDGE LOCK SOLD SEPARATELY: WM-12P.

NOTES: UNLESS OTHERWISE SPECIFIED

THIS DRAWING IS A CONTROLLED DOCUMENT.		DWN S. ZERMENO 01 JUN 2011	TE Connectivity		
DIMENSIONS: INCHES [mm]		CHK BOB MILLIGAN 06 JUN 2011			
TOLERANCES UNLESS OTHERWISE SPECIFIED:		APVD STEVE BEARD 12 JUL 2011			
0 PLC ± 1 PLC ± 2 PLC ± 3 PLC ±.025 [0.64] 4 PLC ± ANGLES ±0°30'0"		PRODUCT SPEC 0425-015-0000	NAME RECEPTACLE WITH END CAP 12 CONT SIZE 20 A,B,C,D KEYS, -E003 MOD DTM SERIES		
MATERIAL △ 4		FINISH N/A	APPLICATION SPEC 0425-015-0000	RESTRICTED TO -	
		WEIGHT	SIZE A3	CAGE CODE 4AFU8	DRAWING NO ©-DTM04-12PX-E003
		Customer Drawing	SCALE 3:2	SHEET 1 OF 2	REV A1

LOC	DIST	REVISIONS			
P	LTR	DESCRIPTION	DATE	DWN	APVD
		SEE SHEET 1	-	-	-





DTM04-12PA-E003
KEY -A-
COLOR: GREY

DTM04-12PB-E003
KEY -B-
COLOR: BLACK

DTM04-12PC-E003
KEY -C-
COLOR: GREEN

DTM04-12PD-E003
KEY -D-
COLOR: BROWN

THIS DRAWING IS A CONTROLLED DOCUMENT.		DWN S. ZERMENO 01 JUN 2011	 TE Connectivity			
DIMENSIONS: INCHES [mm]		CHK BOB MILLIGAN 06 JUN 2011				
TOLERANCES UNLESS OTHERWISE SPECIFIED:		APVD STEVE BEARD 12 JUL 2011	NAME RECEPTACLE WITH END CAP 12 CONT SIZE 20 A,B,C,D KEYS, -E003 MOD DTM SERIES			
0 PLC ± 1 PLC ± 2 PLC ± 3 PLC ±.025 [0.64] 4 PLC ± ANGLES ±0°30'0"		PRODUCT SPEC 0425-015-0000	SIZE A3	CAGE CODE 4AFU8	DRAWING NO DTM04-12PX-E003	RESTRICTED TO -
MATERIAL 	FINISH N/A	APPLICATION SPEC 0425-015-0000	SCALE 1:1		SHEET 2 OF 2	REV A1
		WEIGHT Customer Drawing				