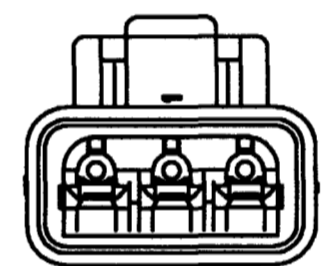
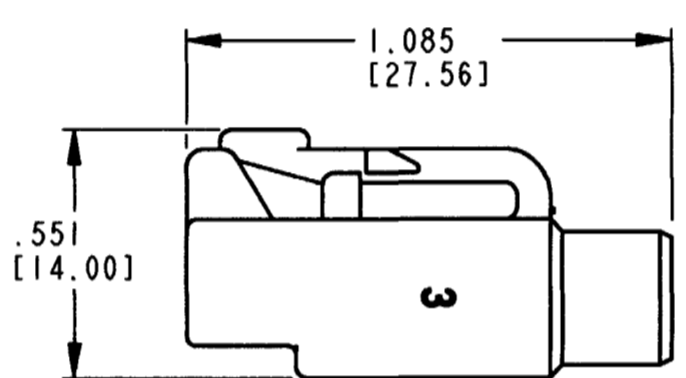
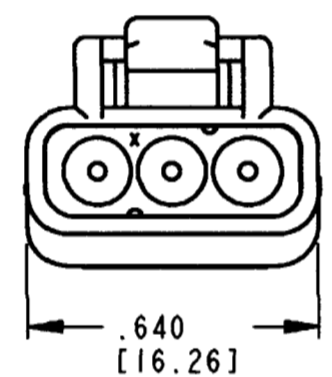
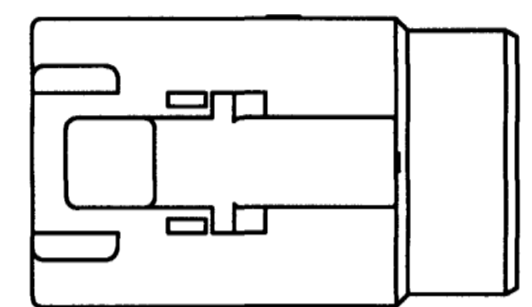
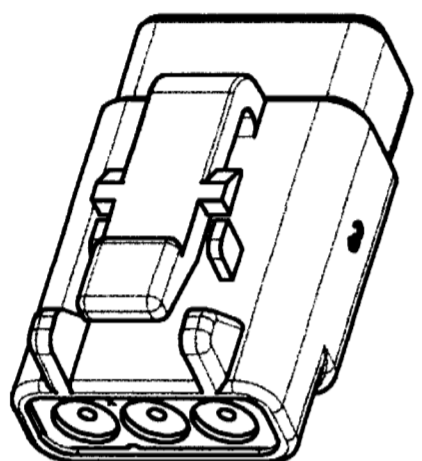


REV
A
DTM06-3S

| REVISIONS | | | |
|-----------|-----------------------------------|---------|----------|
| SYM | DESCRIPTION | DATE | APPROVED |
| NC | NEW RELEASE PER E.O. A14874 | 7-21-95 | RDR |
| A | REDRAWN & REVISED PER E.O. P17172 | 3-6-01 | RDR |
| | | | |



PLUG HOUSING

| CONTACT SIZE | MIN. INSUL. O.D. | MAX. INSUL. O.D. | WIRE RANGE [mm ²] REF ONLY |
|--------------|------------------|------------------|--|
| 20 | .053 [1.35] | .120 [3.05] | 16-20 AWG [1.0-0.5] |

- 6. MATERIAL - HOUSING: PLASTIC; GROMMET: RUBBER.
- 5. THIS PLUG MATES WITH DTM04-3P-**** RECEPTACLE. (**** = ALL MODIFICATIONS)
- 4. FOR CONTACT AND WIRE PERFORMANCE AND APPLICATION CHARACTERISTICS SEE ENVELOPE DRAWING 0425-015-0000.
- 3. SECONDARY WEDGE LOCK SOLD SEPARATELY: WM-3S.
- 2. DIMENSION TOLERANCE: ±.025 [.64].
- 1. DIMENSIONS ARE IN INCHES [mm].

NOTES: UNLESS OTHERWISE SPECIFIED

| SIGNATURE & DATE | |
|------------------|--------------------------|
| DR | J. APOSTOL 05MAR2001 |
| CHK | [Signature] 3/6/01 |
| PE | [Signature] 3/6/01 |
| APPD | R. R. [Signature] 3-6-01 |
| SCALE | NONE WT |

PLUG
3 SKT. CONT. #20
DTM SERIES

ENVELOPE

| | |
|--|-----------------------|
| CP | MATL. CODE |
| The Deutch Company DEUTSCH I.P.D. 3850 INDUSTRIAL AVE. HEMET, CALIF. 92545 | |
| B | DTM06-3S |
| DWG SIZE | CODE 11139 SHEET OF |